

1 2 3 4 5 6 7 8

A

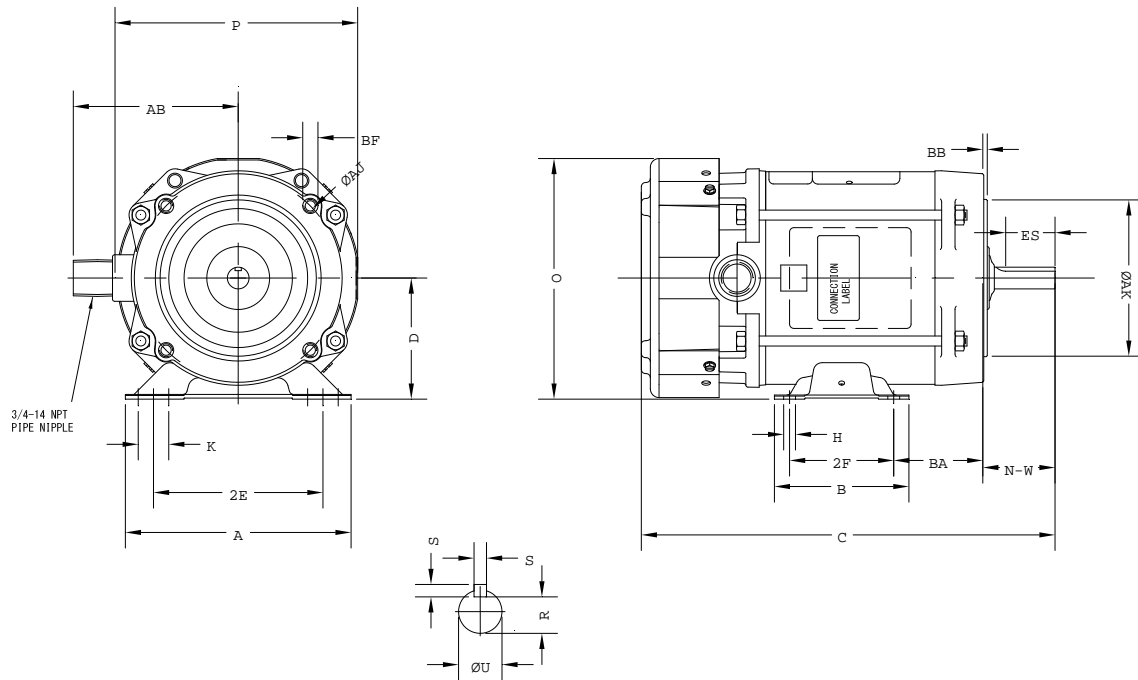
B

C

D

E

F



Notes: Downloaded from <http://dealerselectric.com>
Generated for Model #00136XS3E56C

Performed by:

Checked:

Customer:

Three-Phase: Fractional Explosion Proof Motors

Three-phase induction motor
Frame 56 - IP55

12-SEP-2016



| | | | | |
|------------------|--------------|-------------|-------------|----------------------|
| 2E 4.880 | A 6.500 | P 6.980 | B 3.880 | BA 2.750 |
| U 0.6250 | N-W 1.880 | ES 1.380 | S 0.190 | R 0.517 |
| D 3.500 | O 6.920 | H 0.340 | C 11.920 | d1 SEM |
| Flange FC-149 | AJ 5.880 | AK 4.500 | BD 6.000 | BF UNC 3/8"x16-2B |
| BB 0.160 | AH 2.060 | | | |