

1 2 3 4 5 6 7 8

A

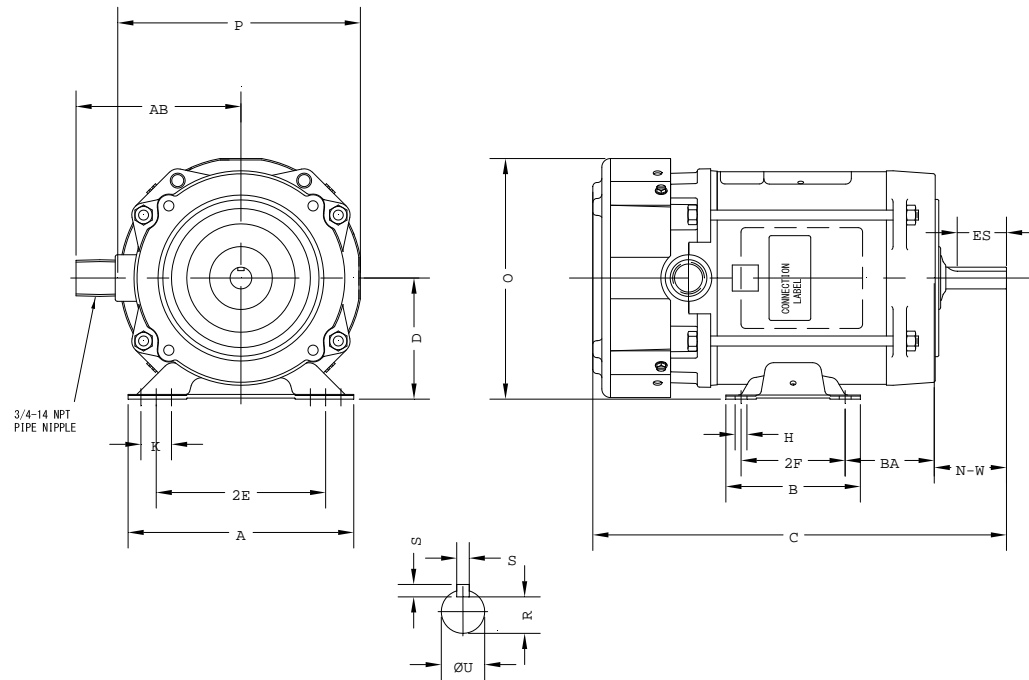
B

C

D

E

F



Notes: Downloaded from <http://dealerselectric.com>
Generated for Model #00136XS1B56

Performed by:

Checked:

Customer:

Single-Phase: Fractional Explosion Proof Motors

Single-phase induction motor
Frame 56 - IP55

12-SEP-2016



| | | | | |
|-------------|-------------|--------------|-------------|-------------|
| 2E 4.880 | A 6.500 | P 6.980 | AB 4.500 | B 3.880 |
| BA 2.750 | U 0.6250 | N-W 1.880 | ES 1.380 | S 0.190 |
| R 0.517 | D 3.500 | O 6.920 | H 0.340 | C 13.040 |
| d1 SEM | | | | |