

1 2 3 4 5 6 7 8

A

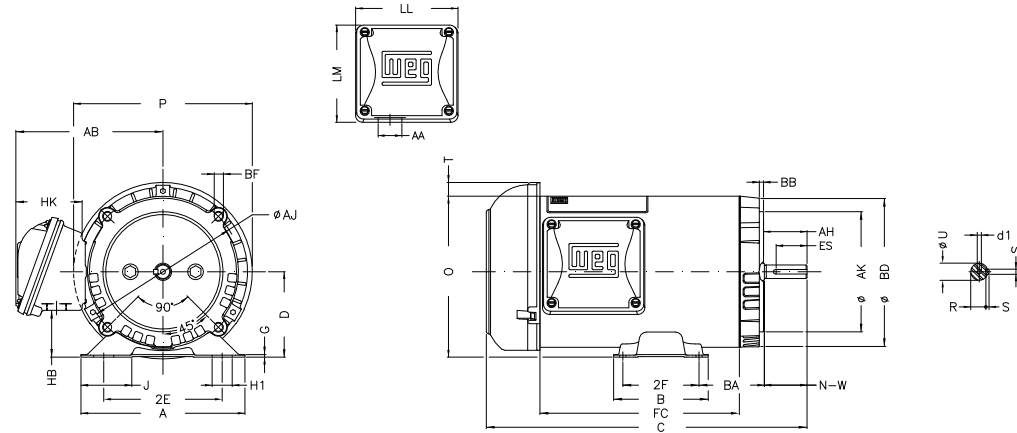
B

C

D

E

F



Notes: Downloaded from <http://dealerselectric.com>
Generated for Model #00136ET3E56C-S

P	AB	J	2E	A
6.693	5.520	1.620	4.874	6.535
H	G	HB	HK	T
0.343	0.075	2.055	2.650	0.524
O	FC	2F	B	C
6.330	6.299	3.000	4.016	11.106
BA	N-W	ES	d1	S
2.750	1.874	1.417	A 3.15	0.187
U	AA	depth	R	LL
0.625	0.881"	0.187	0.517	3.835
LM	D	Flange	AJ	AK
3.697	3.500	FC-149	5.874	4.500
BD	BF	BB	AH	
6.470	UNC 3/8"x16-2B	0.157	2.063	

Performed by:	
Checked:	
Customer:	
Three-Phase: W01 (Rolled Steel) - TEFC - Premium Efficiency (DOE)	
Three-phase induction motor Frame W56 - IP55	12-SEP-2016

