

1 2 3 4 5 6 7 8

A

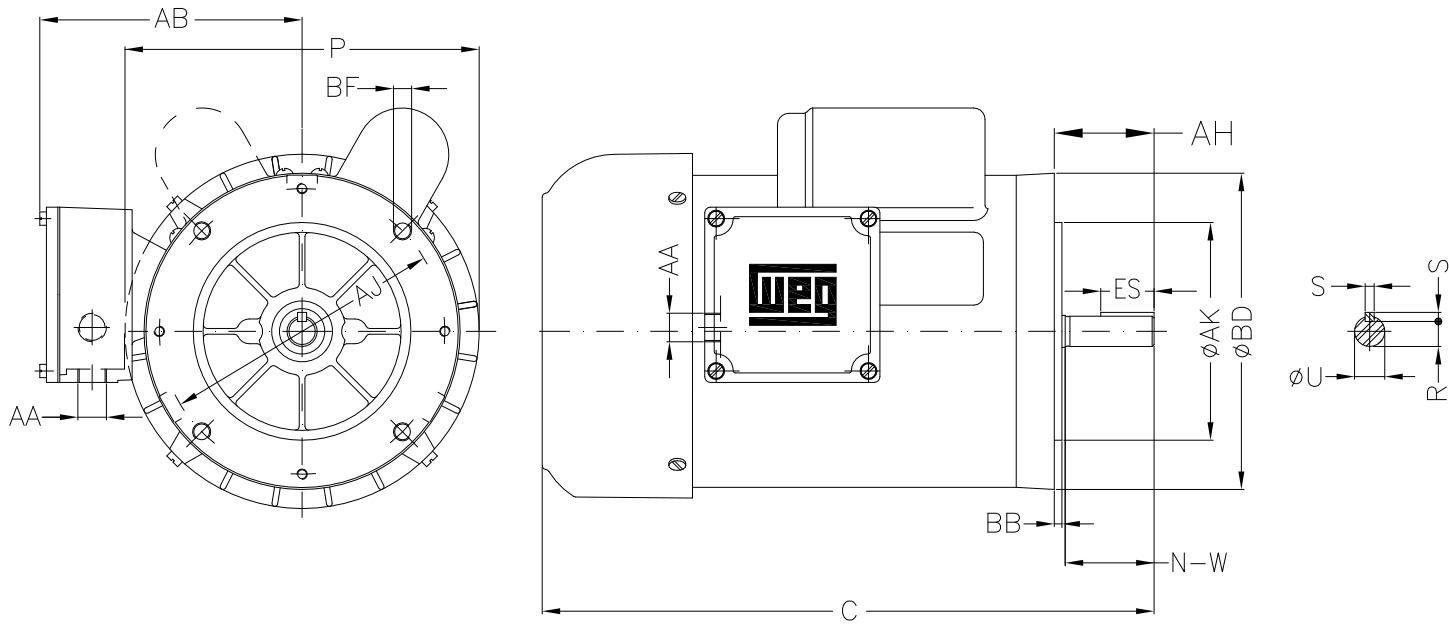
B

C

D

E

F



Notes: Downloaded from <http://dealerselectric.com>
Generated for Model #00136ES1BD56CFL

Performed by:

Checked:

Customer:

Single-Phase : NEMA 56 TEFC

Single-phase induction motor
Frame D56 - IP55

12-SEP-2016



P	ES	S	depth	N-W
7.323	1.102	0.187	0.187	1.874
U	R	d1	C	AA
0.6250	0.517	A 3,15	12.283	2xNPT 1/2"
Flange	AJ	AK	BD	BF
FC-149	5.874	4.500	6.535	UNC 3/8"x16-2B
BB	AH			
0.157	2.063			