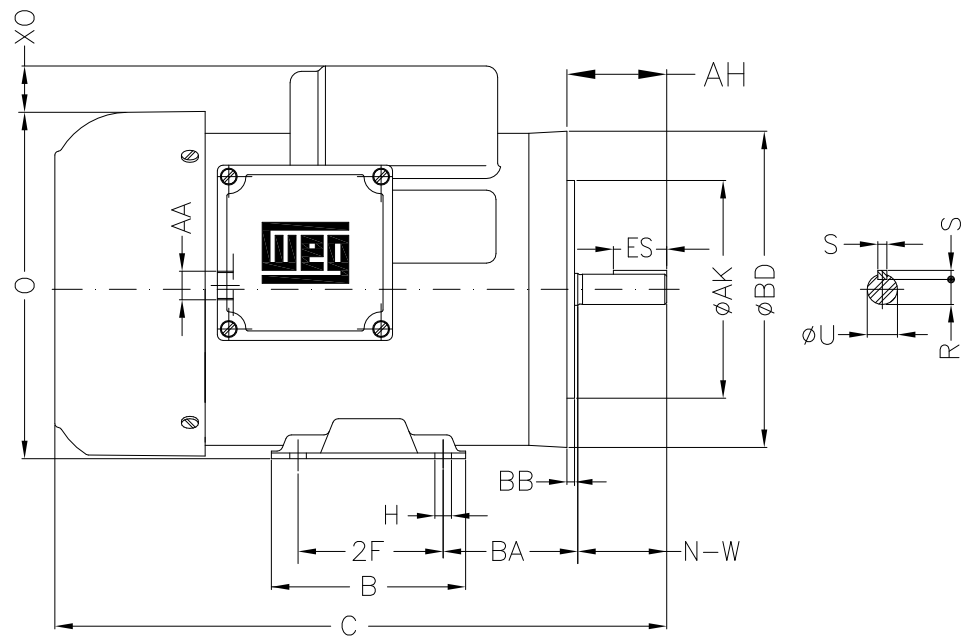
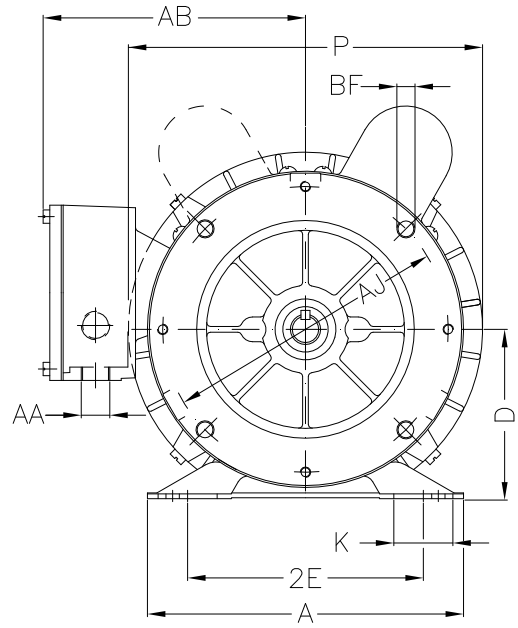


1 2 3 4 5 6 7 8

A
B
C
D
E
F



Notes: Downloaded from <http://dealerselectric.com>
Generated for Model #00136ES1BD56C

Performed by:

Checked:

Customer:

Single-Phase : NEMA 56 TEFC

Single-phase induction motor
Frame D56 - IP55

12-SEP-2016



2E 4.874	H 0.342	A 6.535	2F 3.000	B 4.016
BA 2.750	J 1.220	P 7.323	ES 1.102	S 0.187
depth 0.187	N-W 1.874	U 0.6250	R 0.517	d1 A 3,15
D 3.500	O 7.165	XO 1.063	C 12.283	AA 2xNPT 1/2"
Flange FC-149	AJ 5.874	AK 4.500	BD 6.535	BF UNC 3/8"x16-2B
BB 0.157	AH 2.063			