

1 2 3 4 5 6 7 8

A

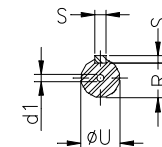
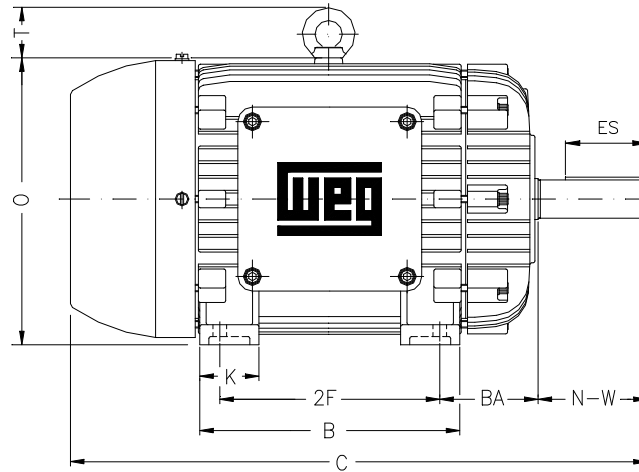
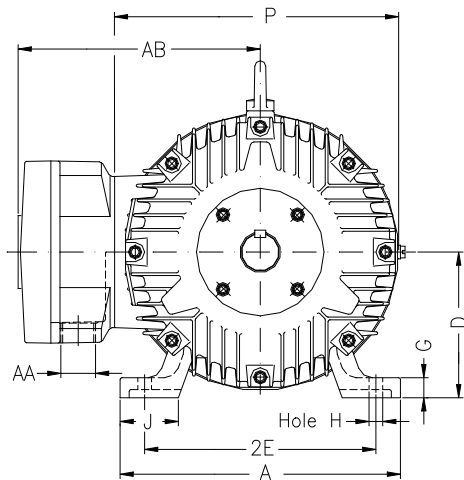
B

C

D

E

F



Notes: Downloaded from <http://dealerselectric.com>  
Generated for Model #00118XT3H143T

Performed by:

Checked:

Customer:

Three-Phase : Explosion Proof - NEMA Premium

Three-phase induction motor  
Frame 143T - IP55

12-SEP-2016



|             |                |             |             |                |
|-------------|----------------|-------------|-------------|----------------|
| 2E<br>5.500 | A<br>6.457     | 2F<br>4.000 | B<br>5.157  | BA<br>2.250    |
| J<br>1.496  | K<br>1.654     | P<br>7.000  | ES<br>1.575 | depth<br>0.187 |
| S<br>0.187  | N-W<br>2.250   | U<br>0.875  | R<br>0.771  | AB<br>6.811    |
| D<br>3.500  | G<br>0.429     | O<br>7.000  | T<br>0.000  | H<br>0.344     |
| C<br>12.760 | AA<br>NPT 3/4" | d1<br>A 4   | d2<br>A 4   |                |