

1 2 3 4 5 6 7 8

A

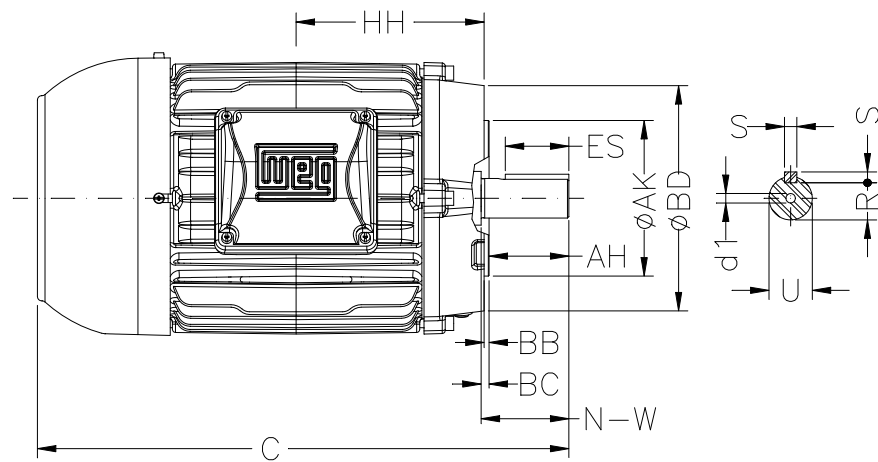
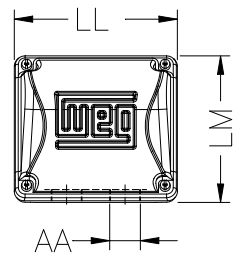
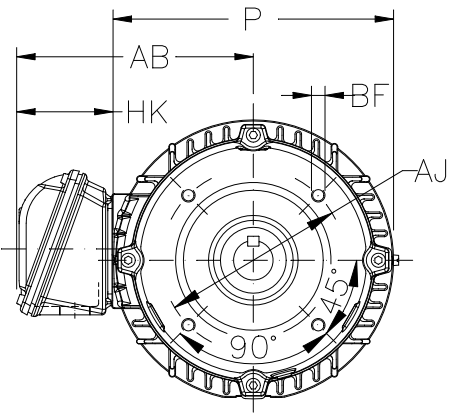
B

C

D

E

F



Notes: Downloaded from <http://dealerselectric.com>  
Generated for Model #00118ST3QIER143TC-W2

Performed by:

Checked:

Customer:

Three-Phase: W22 IEEE-841™ Petrochem Motors - NEMA Premium® Efficiency

Three-phase induction motor  
Frame 143T - IP55

12-SEP-2016



|                   |                  |                |                |             |
|-------------------|------------------|----------------|----------------|-------------|
| P<br>7.047        | AB<br>6.260      | U<br>0.875     | N-W<br>2.250   | ES<br>1.417 |
| S<br>0.187        | R<br>0.771       | depth<br>0.187 | HH<br>4.250    | HK<br>2.638 |
| C<br>12.346       | LL<br>4.528      | LM<br>4.094    | AA<br>NPT 3/4" | d1<br>A 4   |
| d2<br>A 4         | Flange<br>FC-149 | AJ<br>5.875    | AK<br>4.500    | BD<br>6.500 |
| BF<br>UNC 3/8"x16 | BB<br>0.156      | BC<br>0.125    | AH<br>2.125    |             |