

1 2 3 4 5 6 7 8

A

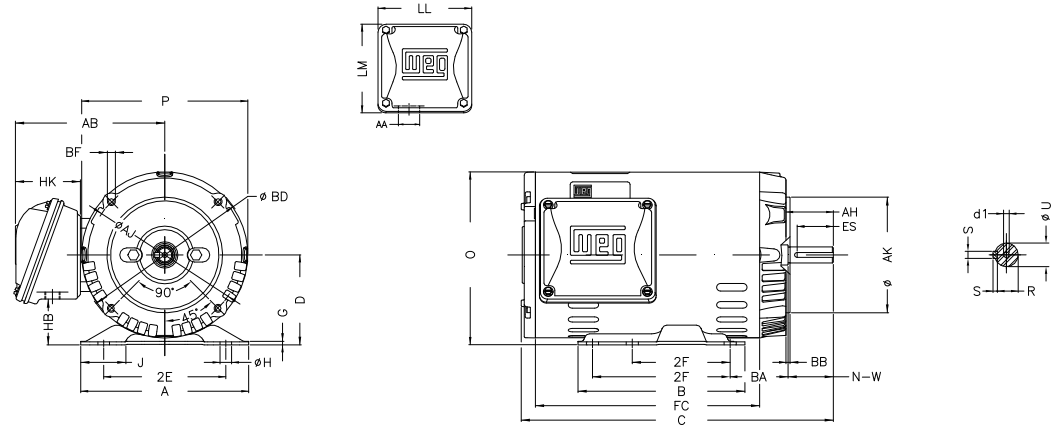
B

C

D

E

F



Notes: Downloaded from <http://dealerselectric.com>
Generated for Model #001180T3H143TC-S

| | | | | |
|-------------|--------------|-------------------|------------------|-------------|
| P 6.456 | AB 5.882 | J 1.732 | 2E 5.500 | A 6.535 |
| H 0.343 | G 0.120 | HB 1.783 | HK 2.638 | T 0.004 |
| O 6.724 | FC 7.480 | 2F 4.000/5.000 | B 6.496 | C 11.181 |
| BA 2.750 | N-W 2.250 | ES 1.417 | d1 A 3.15 | S 0.187 |
| U 0.875 | AA 1.118" | depth 0.187 | R 0.771 | LL 4.543 |
| LM 4.106 | D 3.500 | CH 1.377 | Flange FC-149 | AJ 5.874 |
| AK 4.500 | BD 6.450 | BF UNC 3/8"x16 | BB 0.157 | AH 2.132 |

Performed by:

Checked:

Customer:

Three Phase: W01 (Rolled Steel) - ODP - NEMA Premium Efficiency

Three-phase induction motor
Frame 143/5T - ODP

12-SEP-2016

