

1 2 3 4 5 6 7 8

A

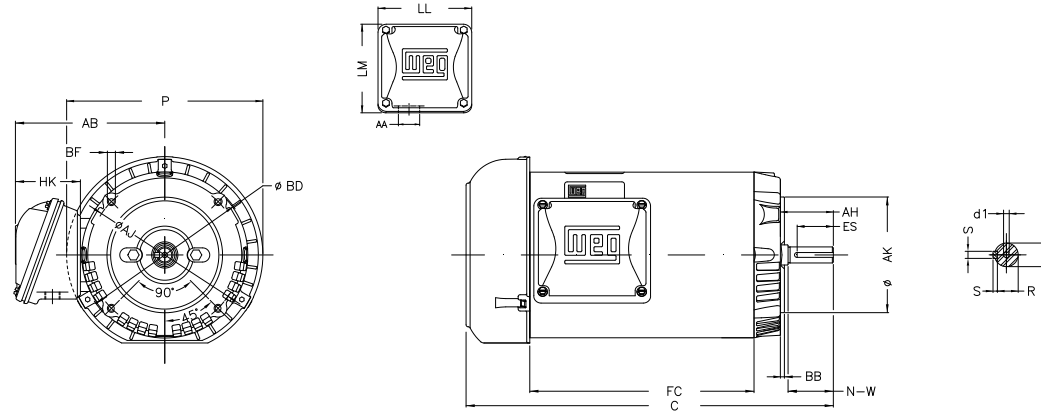
B

C

D

E

F



Notes: Downloaded from <http://dealerselectric.com>  
Generated for Model #00118ET3E56CFL-S

Performed by:

Checked:

Customer:

Three-Phase: W01 (Rolled Steel) - TEFC - Premium Efficiency (DOE)

|        |       |        |       |                |
|--------|-------|--------|-------|----------------|
| P      | AB    | HK     | FC    | C              |
| 7.638  | 5.882 | 2.638  | 7.874 | 13.504         |
| N-W    | ES    | d1     | S     | U              |
| 1.874  | 1.417 | A 3.15 | 0.187 | 0.625          |
| AA     | depth | R      | LL    | LM             |
| 0.881" | 0.187 | 0.517  | 4.543 | 4.106          |
| Flange | AJ    | AK     | BD    | BF             |
| FC-149 | 5.874 | 4.500  | 6.450 | UNC 3/8"x16-2B |
| BB     | AH    |        |       |                |
| 0.157  | 2.062 |        |       |                |

Three-phase induction motor  
Frame 56 - IP55

12-SEP-2016

