

1 2 3 4 5 6 7 8

A

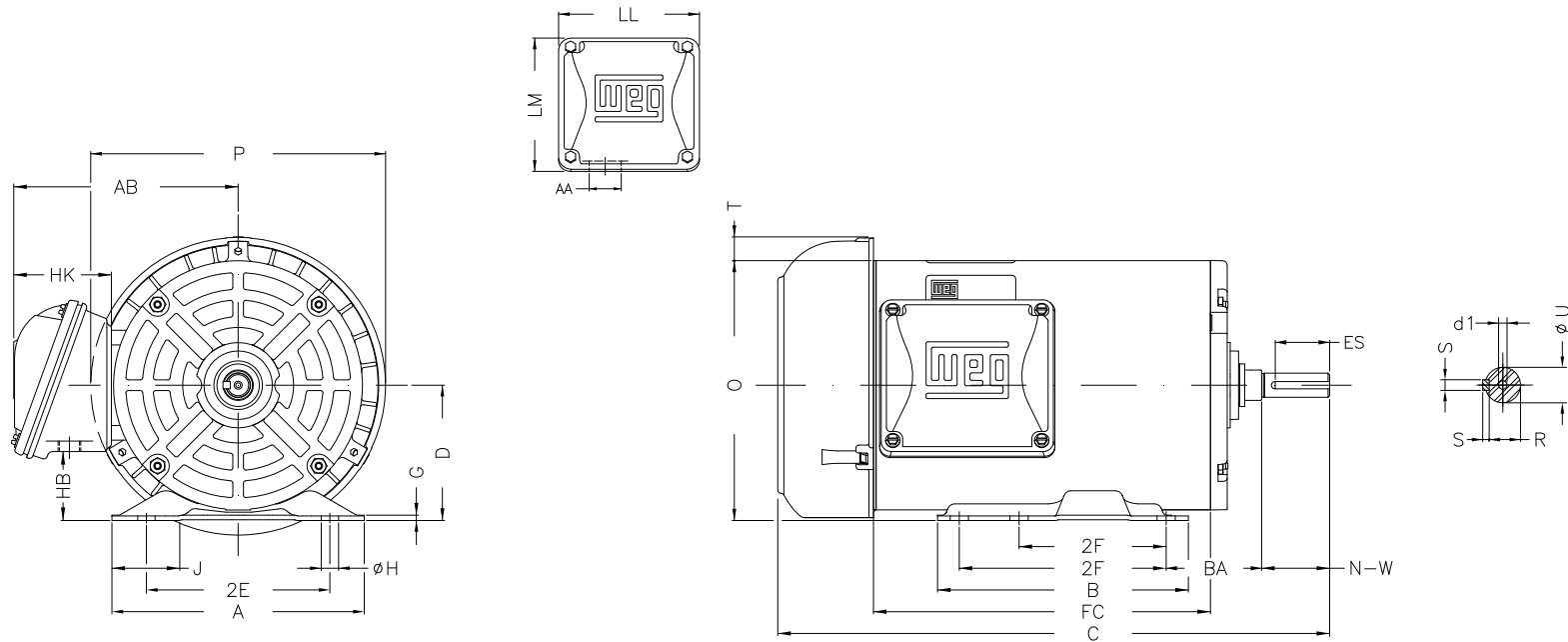
B

C

D

E

F



Notes: Downloaded from <http://dealerselectric.com>  
Generated for Model #00118ET3E143T-S

Performed by:

Checked:

Customer:

Three Phase: W01 (Rolled Steel) - TEFC - NEMA Premium Efficiency

Three-phase induction motor  
Frame 143/5T - IP55

12-SEP-2016



|       |        |             |        |        |
|-------|--------|-------------|--------|--------|
| P     | AB     | J           | 2E     | A      |
| 7.638 | 5.882  | 1.732       | 5.500  | 6.535  |
| H     | G      | HB          | HK     | T      |
| 0.343 | 0.120  | 1.783       | 2.638  | 0.603  |
| O     | FC     | 2F          | B      | C      |
| 6.724 | 7.874  | 4.000/5.000 | 6.496  | 13.583 |
| BA    | N-W    | ES          | d1     | S      |
| 2.250 | 2.250  | 1.417       | A 3,15 | 0.187  |
| U     | AA     | depth       | R      | LL     |
| 0.875 | 1.118" | 0.187       | 0.771  | 4.543  |
| LM    | BB     | D           | CH     |        |
| 4.106 | 0.603  | 3.500       | 1.377  |        |