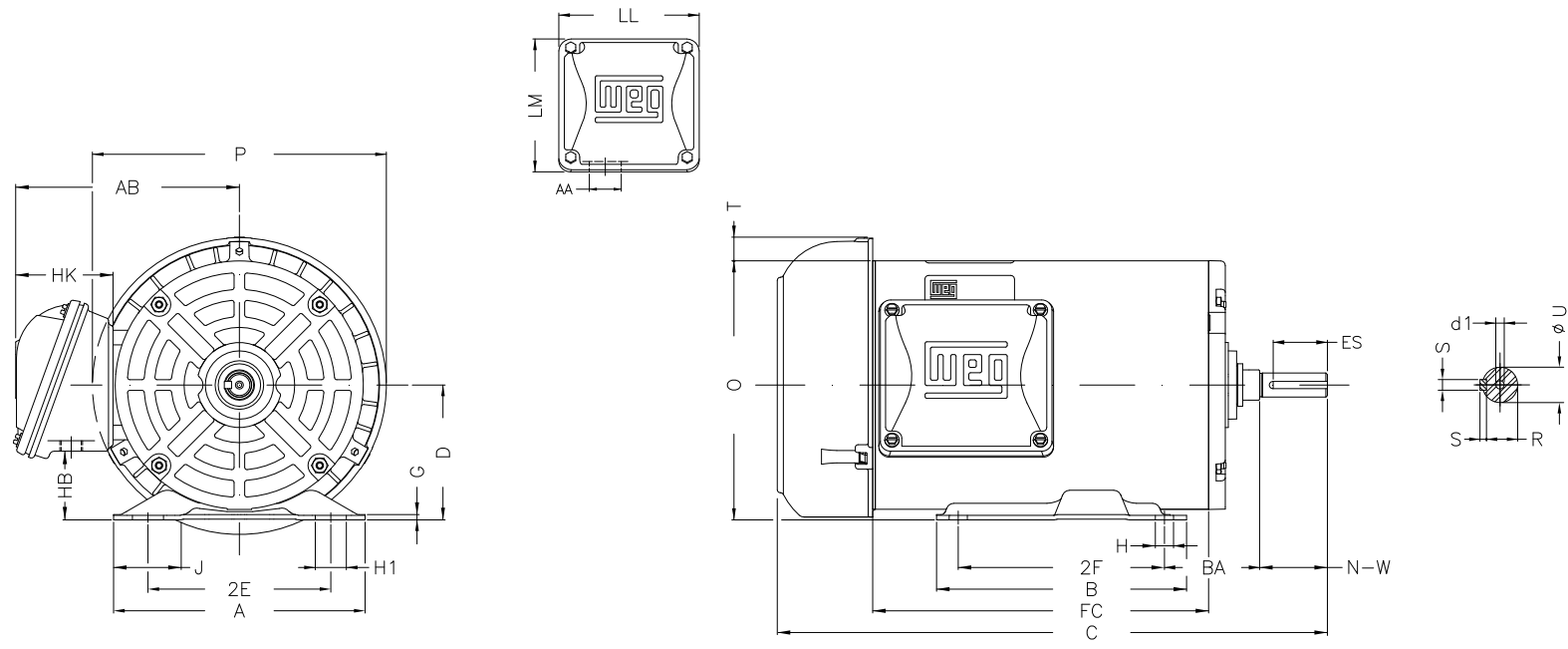


1 2 3 4 5 6 7 8

A  
B  
C  
D  
E  
F



Notes: Downloaded from <http://dealerselectric.com>  
Generated for Model #00118ES3E56-S

Performed by:

Checked:

Customer:

Three Phase: W01 (Rolled Steel) - TEFC - Standard Efficiency

|       |        |       |        |        |
|-------|--------|-------|--------|--------|
| P     | AB     | J     | 2E     | A      |
| 7.638 | 5.882  | 1.732 | 4.874  | 6.535  |
| H     | G      | HB    | HK     | T      |
| 0.343 | 0.120  | 1.783 | 2.638  | 0.603  |
| O     | FC     | 2F    | B      | C      |
| 6.724 | 6.693  | 3.000 | 4.016  | 12.323 |
| BA    | N-W    | ES    | d1     | S      |
| 2.750 | 1.874  | 1.417 | A 3,15 | 0.187  |
| U     | AA     | depth | R      | LL     |
| 0.625 | 0.881" | 0.187 | 0.517  | 4.543  |
| LM    | BB     | D     |        |        |
| 4.106 | 0.603  | 3.500 |        |        |

Three-phase induction motor  
Frame 56 - IP55

12-SEP-2016

