

1 2 3 4 5 6 7 8

A

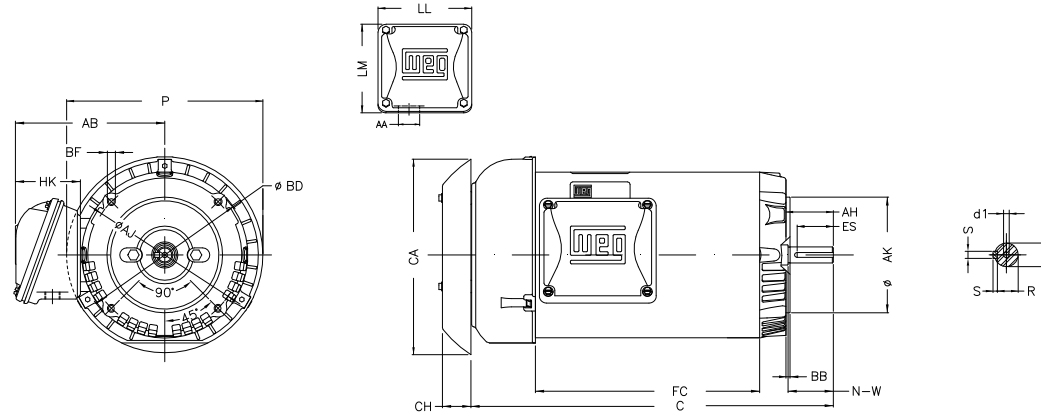
B

C

D

E

F



Notes: Downloaded from <http://dealerselectric.com>
Generated for Model #00112ET3VR145TC-S

Performed by:

Checked:

Customer:

Three Phase: W01 (Rolled Steel) - TEFC - NEMA Premium Efficiency

Three-phase induction motor
Frame 143/5T - IP55

12-SEP-2016



| | | | | |
|-------------|--------|--------|-------|--------|
| P | AB | HK | FC | C |
| 7.638 | 5.882 | 2.638 | 7.874 | 13.583 |
| N-W | ES | d1 | S | U |
| 2.250 | 1.417 | A 3.15 | 0.187 | 0.875 |
| AA | depth | R | LL | LM |
| 1.118" | 0.187 | 0.771 | 4.543 | 4.106 |
| CH | Flange | AJ | AK | BD |
| 1.377 | FC-149 | 5.874 | 4.500 | 6.450 |
| BF | BB | AH | | |
| UNC 3/8"x16 | 0.157 | 2.132 | | |