

1 2 3 4 5 6 7 8

A

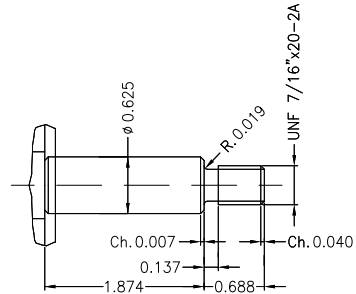
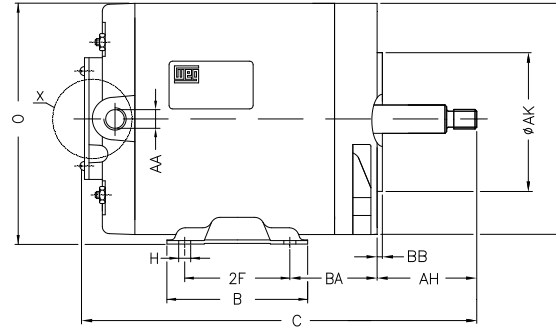
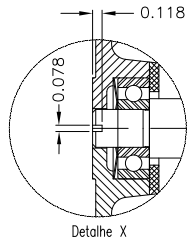
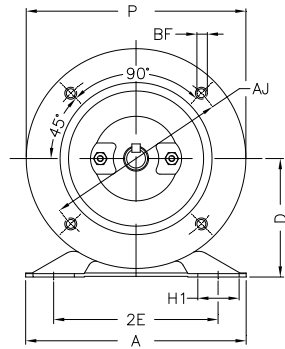
B

C

D

E

F



THREE-PHASE, FORM J, WITH INTERNAL THREAD OF 1/4x28 UNF AT SHAFT-END, FOR CLAMPING THE PUMP ROTOR.

Notes: Downloaded from <http://dealerselectric.com>
Generated for Model #.7536OS3EJP56J

Performed by:

Checked:

Customer:

Jet Pump - NEMA 56 : Three-Phase - Threaded - ODP (IP21)

Three-phase induction motor
Frame B56 - IP21

12-SEP-2016



2E 4.874	2F 3.000	BA 2.748	A 6.535	B 4.016
C 11.791	D 3.500	G 0.120	O 6.772	P 6.496
AA NPT 1/2"	Flange FC-149	AJ 5.874	AK 4.500	BD 6.535
BF UNC 3/8"x16-2B	BB 0.157			