

1 2 3 4 5 6 7 8

A

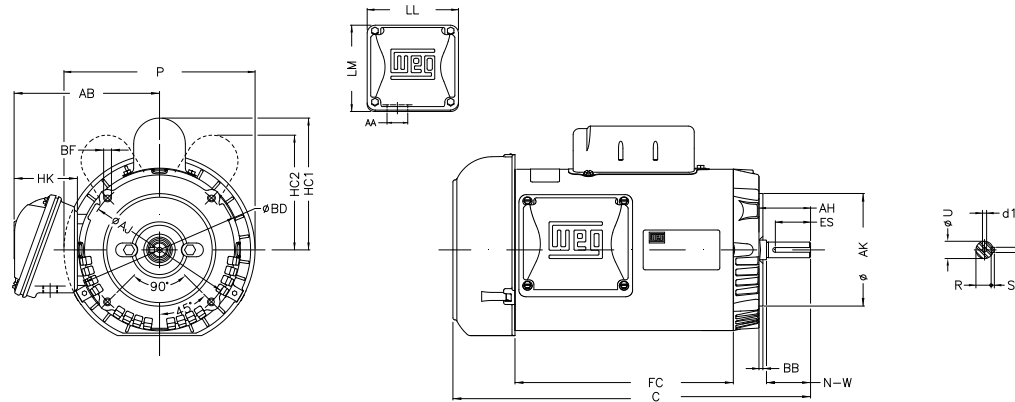
B

C

D

E

F



Notes: Downloaded from <http://dealerselectric.com>
Generated for Model #.7536ES1B56CFL-S

Performed by:

Checked:

Customer:

Single Phase: W01 (Rolled Steel) - TEFC - Standard Efficiency

Single-phase induction motor
Frame 56 - IP55

12-SEP-2016



| | | | | |
|--------|----------------|--------|-------|--------|
| P | AB | HK | FC | C |
| 7.638 | 5.882 | 2.638 | 7.086 | 12.721 |
| N-W | ES | d1 | S | U |
| 1.874 | 1.417 | A 3.15 | 0.187 | 0.625 |
| AA | depth | R | LL | LM |
| 0.881" | 0.187 | 0.517 | 4.543 | 4.106 |
| CH | HC2 | Flange | AJ | AK |
| 1.377 | 4.650 | FC-149 | 5.874 | 4.500 |
| BD | BF | BB | AH | |
| 6.450 | UNC 3/8"x16-2B | 0.157 | 2.062 | |