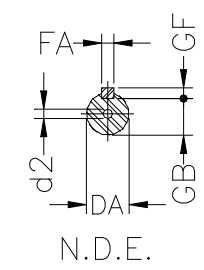
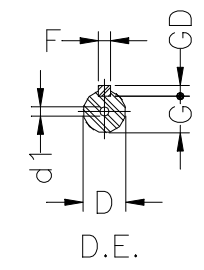
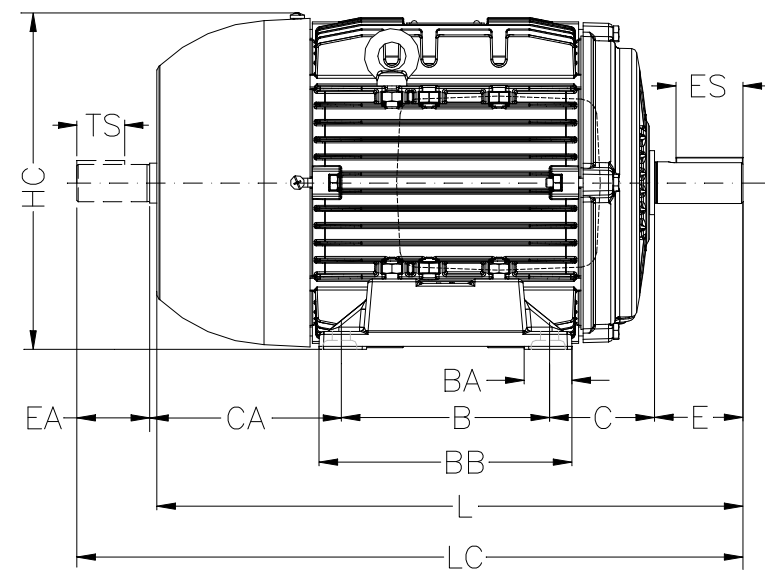
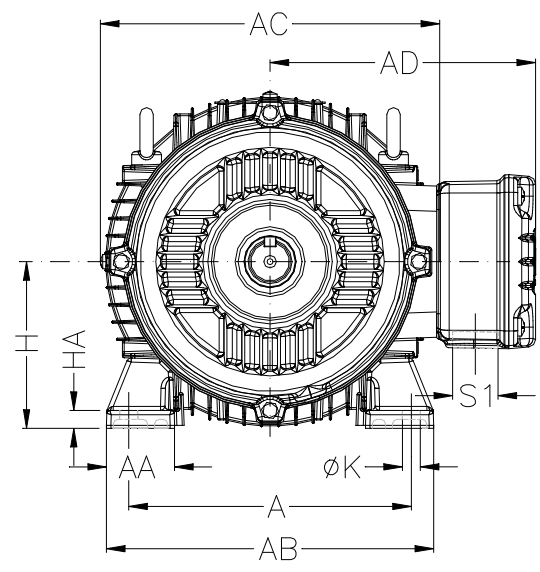


1 2 3 4 5 6 7 8

A  
B  
C  
D  
E  
F



Notes: Downloaded from <http://dealerselectric.com>  
Generated for Model #.5518EP3EAL80

|      |      |     |     |          |
|------|------|-----|-----|----------|
| A    | AA   | AB  | AC  | AD       |
| 125  | 32   | 155 | 159 | 135.5    |
| B    | BA   | BB  | C   | CA       |
| 100  | 28   | 124 | 50  | 93       |
| D    | E    | ES  | F   | G        |
| 19j6 | 40   | 28  | 6   | 15.5     |
| GD   | DA   | EA  | TS  | FA       |
| 6    | 14j6 | 30  | 18  | 5        |
| GB   | GF   | H   | HA  | HC       |
| 11   | 5    | 80  | 8   | 157      |
| HD   | K    | L   | LC  | S1       |
| 210  | 10   | 276 | 313 | NPT 3/4" |
| d1   | d2   |     |     |          |
| DM6  | DM4  |     |     |          |

Performed by:

Checked:

Customer:

Three-Phase : IEC Tru-Metric - TEFC (IP55) - Aluminum Frame

Three-phase induction motor  
Frame 80 - IP55

12-SEP-2016

