

1 2 3 4 5 6 7 8

A

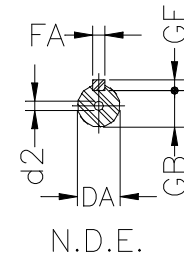
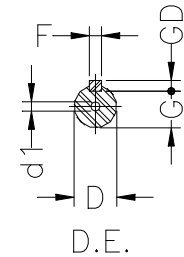
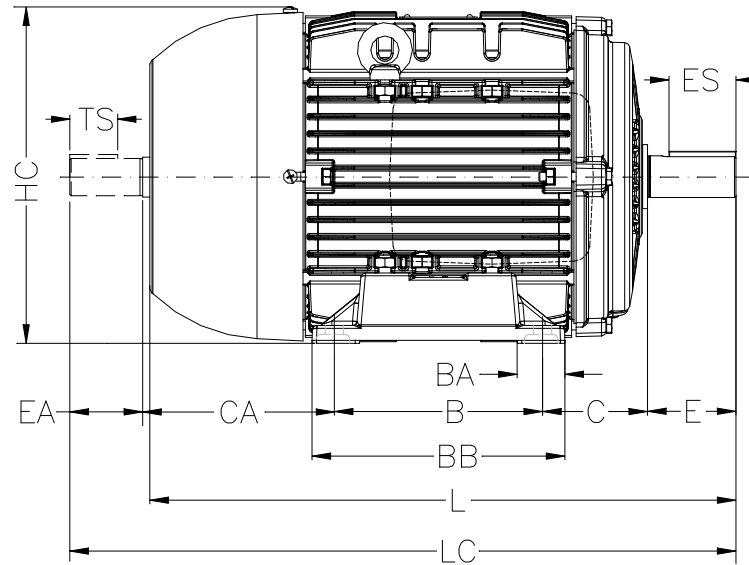
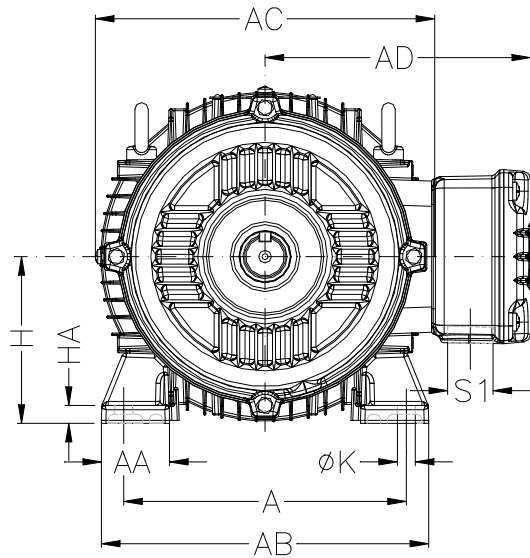
B

C

D

E

F



Notes: Downloaded from <http://dealerselectric.com>  
Generated for Model #.5509EP3EAL90L

A 5.512	AA 1.378	AB 6.693	AC 7.047	AD 6.102
B 3.937/4.921	BA 0.945	BB 5.748	C 2.205	CA 5.079/4.094
D 0.945	E 1.969	ES 1.417	F 0.315	G 0.787
GD 0.276	DA 0.630	EA 1.575	TS 1.102	FA 0.197
GB 0.512	GF 0.197	H 3.543	HA 0.354	HC 6.968
HD 9.449	K 0.394	L 12.953	LC 14.764	S1 NPT 3/4"
d1 DM8	DM6			

Performed by:

Checked:

Customer:

Three-Phase : IEC Tru-Metric - TEFC (IP55) - Aluminum Frame

Three-phase induction motor  
Frame 90L - IP55

12-SEP-2016

