

1 2 3 4 5 6 7 8

A

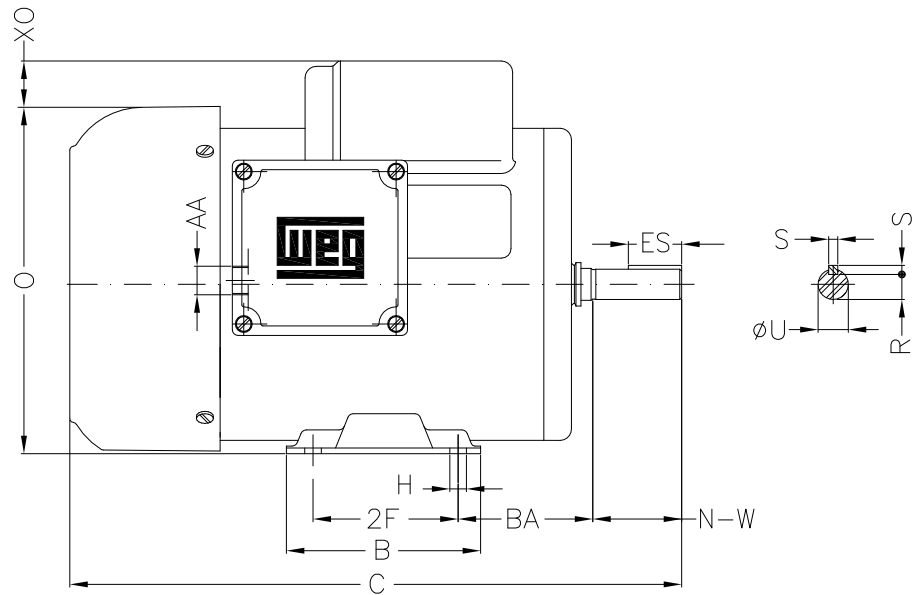
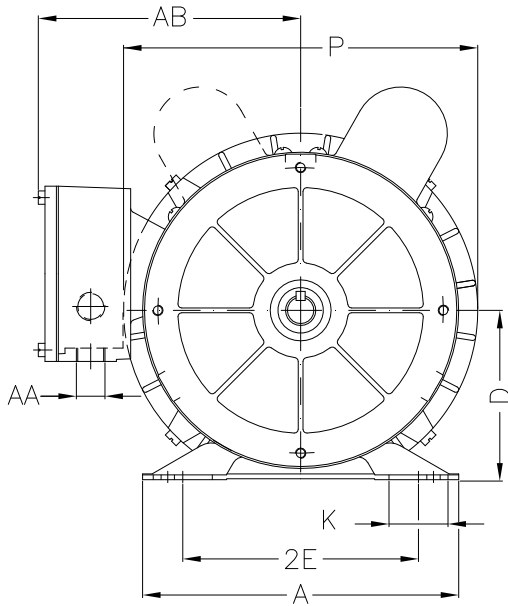
B

C

D

E

F



Notes: Downloaded from <http://dealerselectric.com>  
Generated for Model #.5036ES1BB56

Performed by:

Checked:

Customer:

Single-Phase : NEMA 56 TEFC

Single-phase induction motor  
Frame B56 - IP55

12-SEP-2016



|                |              |             |                  |            |
|----------------|--------------|-------------|------------------|------------|
| 2E<br>4.874    | H<br>0.342   | A<br>6.535  | 2F<br>3.000      | B<br>4.016 |
| BA<br>2.750    | J<br>1.220   | P<br>7.323  | ES<br>1.102      | S<br>0.187 |
| depth<br>0.187 | N-W<br>1.874 | U<br>0.6250 | R<br>0.517       | D<br>3.500 |
| O<br>7.165     | XO<br>1.063  | C<br>11.102 | AA<br>2xNPT 1/2" |            |