

1 2 3 4 5 6 7 8

A

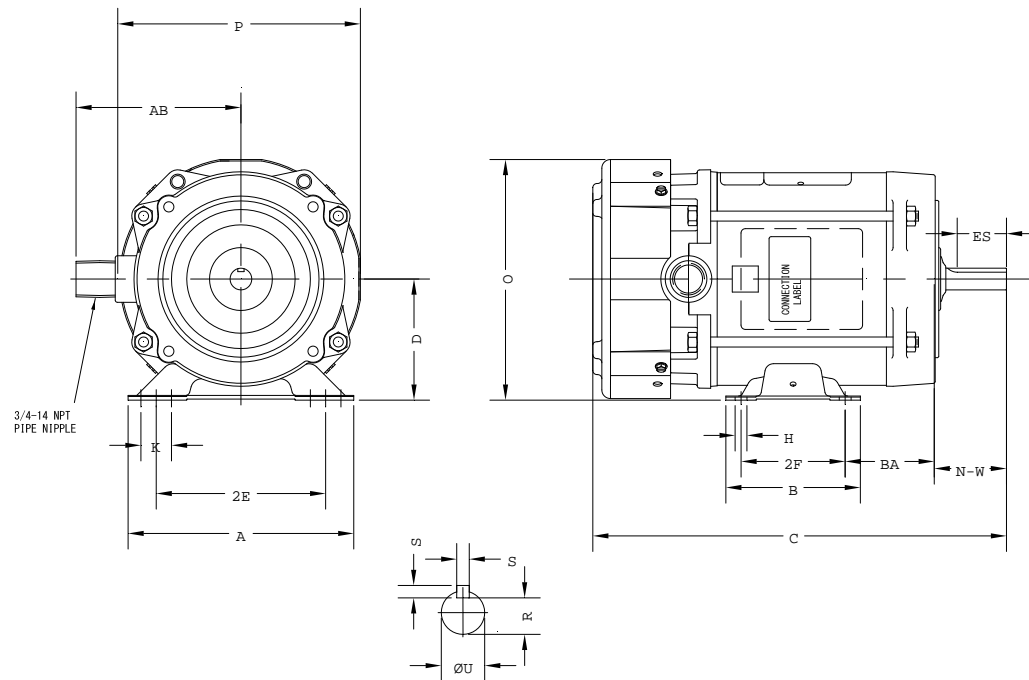
B

C

D

E

F



Notes: Downloaded from <http://dealerselectric.com>
Generated for Model #.5018XS1B56

Performed by:

Checked:

Customer:

Single-Phase: Fractional Explosion Proof Motors

2E	A	P	AB	B
4.880	6.500	6.980	4.500	3.880
BA	U	N-W	ES	S
2.750	0.6250	1.880	1.380	0.190
R	D	O	H	C
0.517	3.500	6.920	0.340	12.290
d1				
SEM				

Single-phase induction motor
Frame 56 - IP55

12-SEP-2016

