

1 2 3 4 5 6 7 8

A

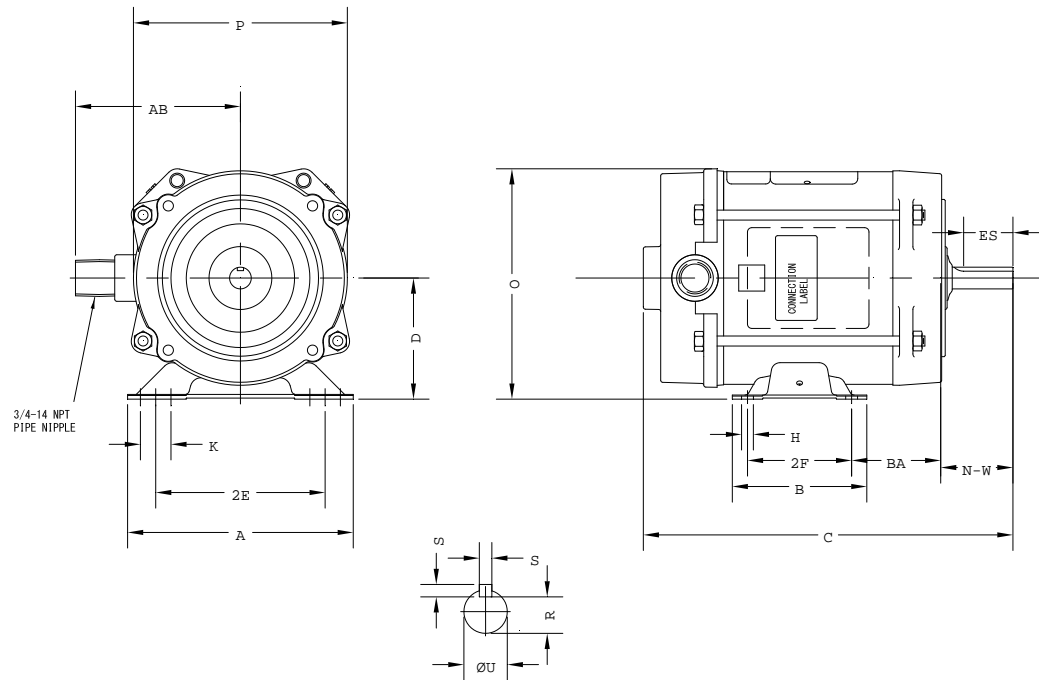
B

C

D

E

F



Notes: Downloaded from <http://dealerselectric.com>  
Generated for Model #.3336XS3E56

Performed by:

Checked:

Customer:

Three-Phase: Fractional Explosion Proof Motors

Three-phase induction motor  
Frame 56 - IP55

12-SEP-2016



|             |              |             |             |             |
|-------------|--------------|-------------|-------------|-------------|
| 2E<br>4.880 | A<br>6.500   | P<br>6.980  | B<br>3.880  | BA<br>2.750 |
| U<br>0.6250 | N-W<br>1.880 | ES<br>1.380 | S<br>0.190  | R<br>0.517  |
| D<br>3.500  | O<br>6.920   | H<br>0.340  | C<br>10.520 | d1<br>SEM   |