

1 2 3 4 5 6 7 8

A

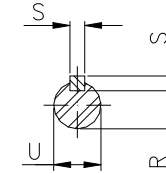
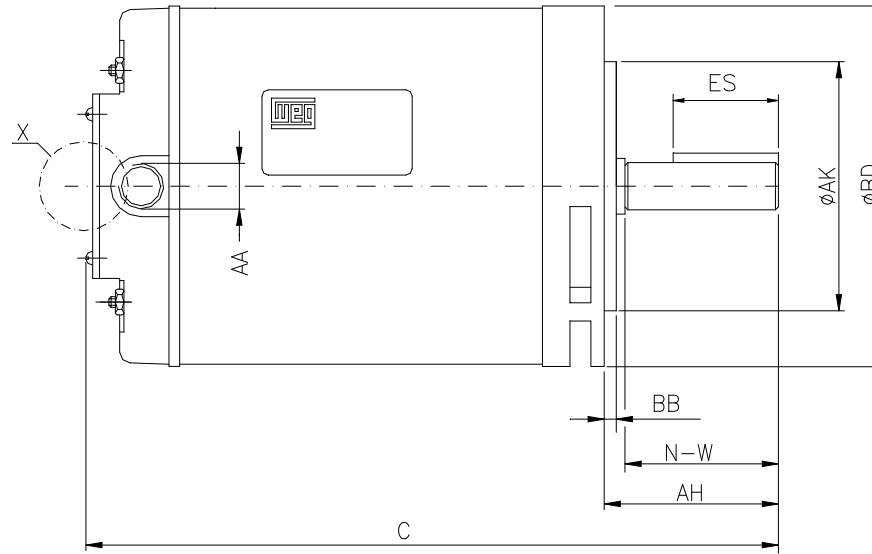
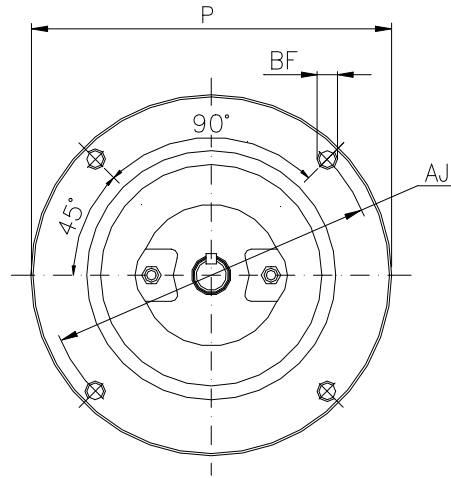
B

C

D

E

F



Notes: Downloaded from <http://dealerselectric.com>  
Generated for Model #.3336OS3EJPR56C

Performed by:

Checked:

Customer:

Jet Pump - NEMA 56 : Three-Phase - Keyed - ODP (IP21)

|        |       |             |        |       |
|--------|-------|-------------|--------|-------|
| C      | P     | ES          | S      | N-W   |
| 10.315 | 6.496 | 1.417       | 0.187  | 1.874 |
| U      | R     | AA          | Flange | AJ    |
| 0.625  | 0.517 | NPT 1/2"    | FC-149 | 5.874 |
| AK     | BD    | BF          | BB     | AH    |
| 4.500  | 6.535 | UNC 3/8"x16 | 0.157  | 2.063 |

Three-phase induction motor  
Frame A56 - IP21

12-SEP-2016

