

1 2 3 4 5 6 7 8

A

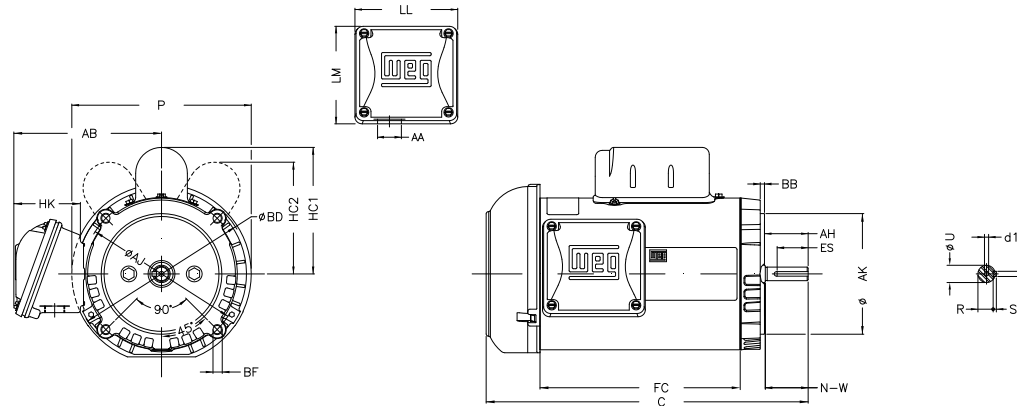
B

C

D

E

F



Notes: Downloaded from <http://dealerselectric.com>
Generated for Model #.3318ES1BW56CFL-S

Performed by:

Checked:

Customer:

Single Phase: W01 (Rolled Steel) - TEFC - Standard Efficiency

Single-phase induction motor
Frame W56 - IP55

12-SEP-2016



| | | | | |
|--------------|----------------------|------------------|-------------|-------------|
| P 6.693 | AB 5.520 | HK 2.650 | FC 6.693 | C 11.500 |
| N-W 1.874 | ES 1.417 | d1 A 3.15 | S 0.187 | U 0.625 |
| AA 0.881" | depth 0.187 | R 0.517 | LL 3.835 | LM 3.697 |
| CH 1.417 | HC1 4.717 | Flange FC-149 | AJ 5.874 | AK 4.500 |
| BD 6.470 | BF UNC 3/8"x16-2B | BB 0.157 | AH 2.063 | |