

1 2 3 4 5 6 7 8

A

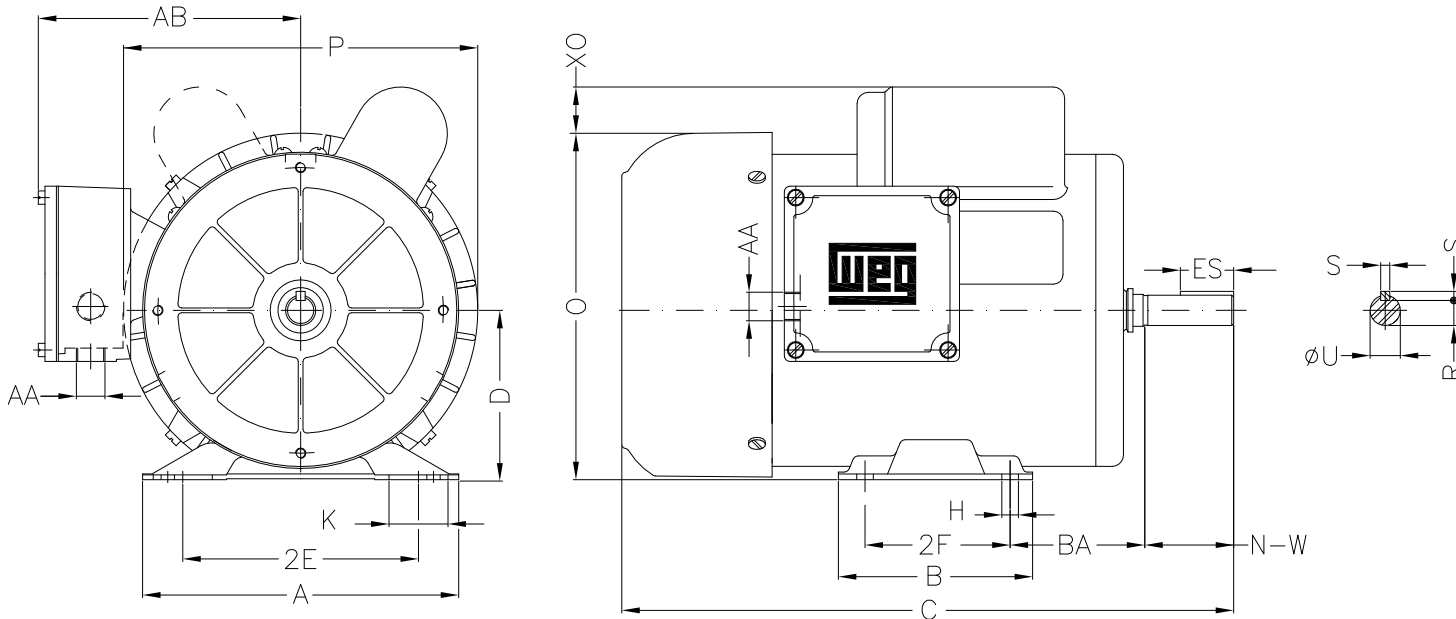
B

C

D

E

F



Notes: Downloaded from <http://dealerselectric.com>
Generated for Model #.2536ES1BB56

Performed by:

Checked:

Customer:

Single-Phase : NEMA 56 TEFC

Single-phase induction motor
Frame B56 - IP55

12-SEP-2016



| | | | | |
|----------------|--------------|-------------|------------------|------------|
| 2E 4.874 | H 0.342 | A 6.535 | 2F 3.000 | B 4.016 |
| BA 2.750 | J 1.220 | P 7.323 | ES 1.102 | S 0.187 |
| depth 0.187 | N-W 1.874 | U 0.6250 | R 0.517 | D 3.500 |
| O 7.165 | XO 1.063 | C 11.102 | AA 2xNPT 1/2" | |