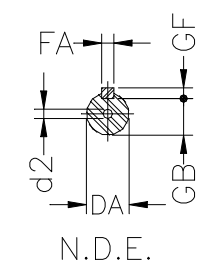
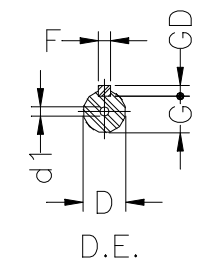
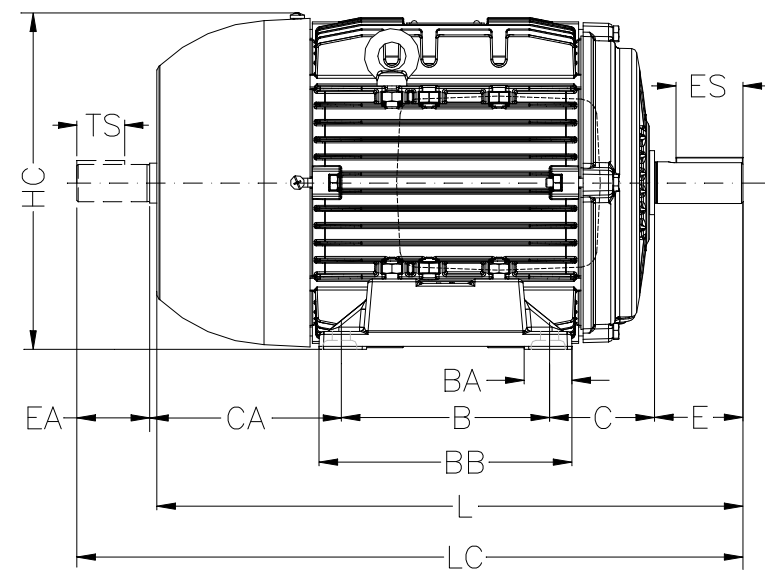
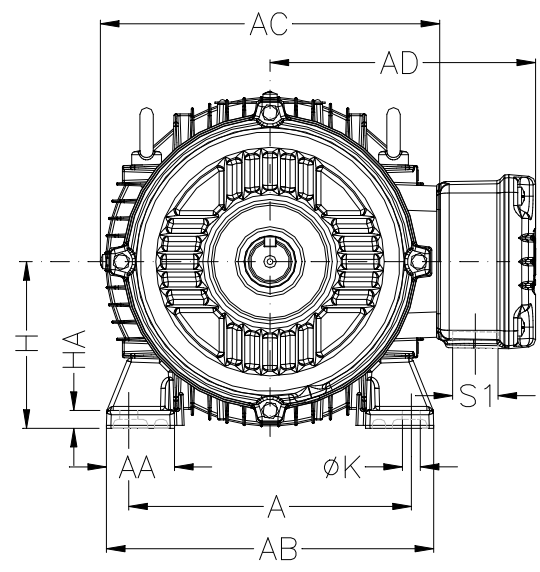


1 2 3 4 5 6 7 8

A
B
C
D
E
F



Notes: Downloaded from <http://dealerselectric.com>
Generated for Model #.2512EP3EAL71

| | | | | |
|------|------|-----|-----|----------|
| A | AA | AB | AC | AD |
| 112 | 28 | 134 | 140 | 126.5 |
| B | BA | BB | C | CA |
| 90 | 24.5 | 108 | 45 | 88 |
| D | E | ES | F | G |
| 14j6 | 30 | 18 | 5 | 11 |
| GD | DA | EA | TS | FA |
| 5 | 11j6 | 23 | 14 | 4 |
| GB | GF | H | HA | HC |
| 8.5 | 4 | 71 | 6 | 139 |
| HD | K | L | LC | S1 |
| 192 | 7 | 248 | 276 | NPT 3/4" |
| d1 | d2 | | | |
| DM5 | EM4 | | | |

Performed by:

Checked:

Customer:

Three-Phase : IEC Tru-Metric - TEFC (IP55) - Aluminum Frame

Three-phase induction motor
Frame 71 - IP55

12-SEP-2016

