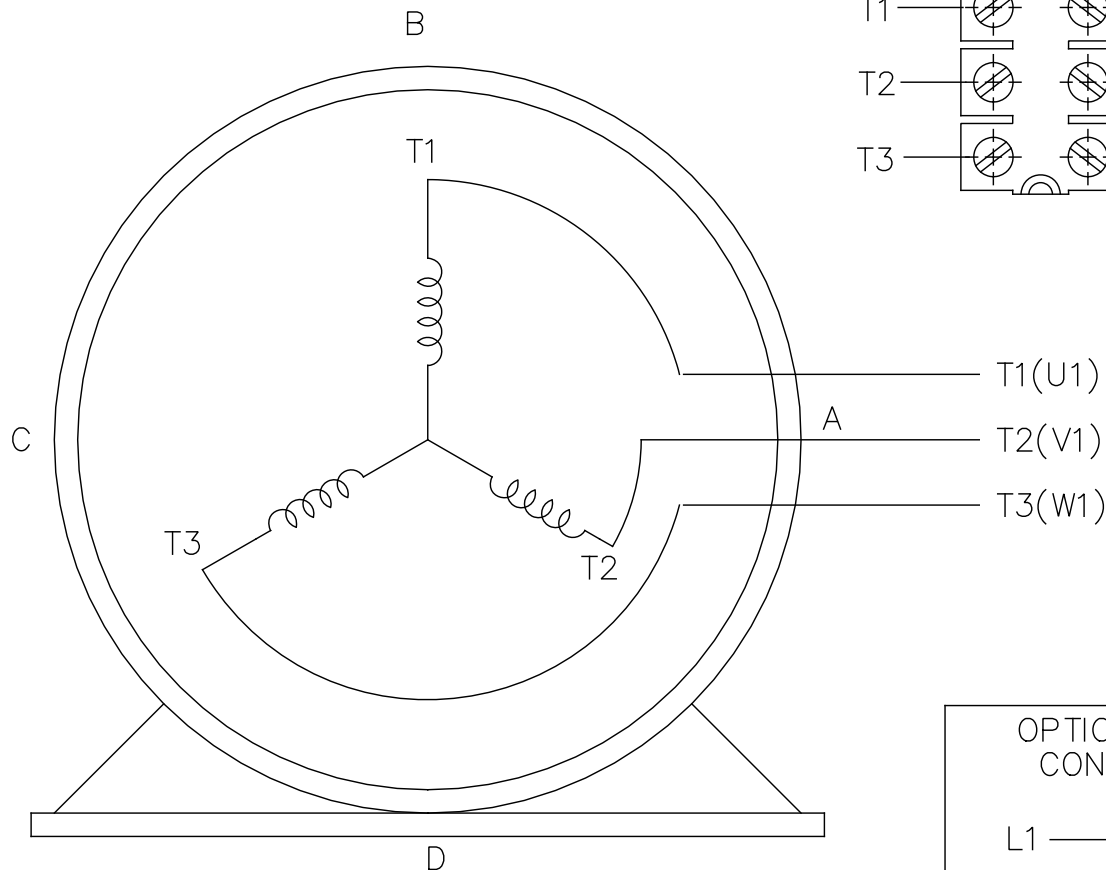
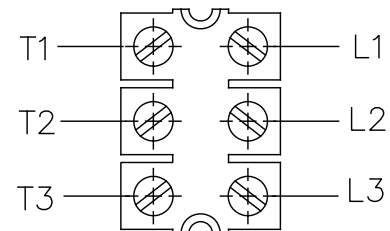


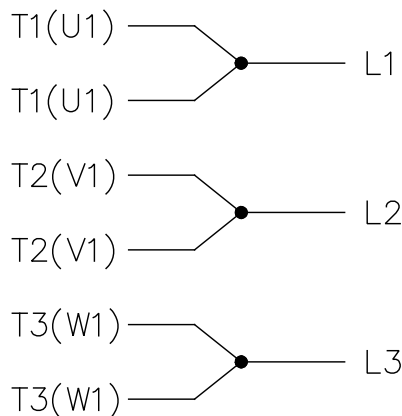
THREE PHASE – SINGLE VOLTAGE
MOTOR – CONDUIT BOX @ 'A'

TERMINAL BLOCK WHEN SPECIFIED

TO REVERSE ROTATION:
INTERCHANGE ANY TWO LINE
LEAD CONNECTIONS



IF MOTOR HAS
6 LEADS



A-9806 DECAL

OPTIONAL CORD
CONNECTION

- L1 _____ WHITE
- L2 _____ RED
- L3 _____ BLACK

VIEW OF TERMINAL END

NO.	REVISION	BY & DATE	CHK	ANG	±7'30"	FINISH	TOLERANCES UNLESS SPECIFIED		DRAWN DA 03-26-1993	
							DEC.	INCHES		
16	ADDED TERMINAL BLOCK	UD 10-23-2013	BV	.X	±.1				CHK ML 03-26-1993	
15	ADDED IEC REFERENCE CODES MU60881	TAT 09-22-2004	ML	.XX	±.02				APPD TB 03-26-1993	
14	ADDED CORD VIEW CN 29200-3103	TJB 07-28-2003	ML	.XXX	±.005	TITLE CONNECTION DIAGRAM			SCALE 1=1	
13	REDRAWN – NO CHANGE	DA 03-26-1993		.XXXX	±.0005	SINGLE VOLT – 3Ø MOTOR			REF	
						MAT'L.			FMF	
									PREV	
			RFP			CAD FILE ee7300	SIZE A	DRAWING NO. EE7300	PAGE OF 16	REV. 16
			DIST							

THIS DRAWING IN DESIGN AND DETAIL IS OUR PROPERTY AND MUST NOT BE USED EXCEPT IN CONNECTION WITH OUR WORK ALL RIGHTS OF DESIGN AND INVENTION ARE RESERVED THIS IS AN ELECTRONICALLY GENERATED DOCUMENT – DO NOT SCALE THIS PRINT

