

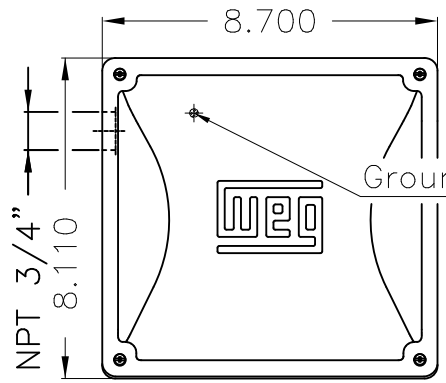
# DATA SHEET



## Single Phase Induction Motor - Squirrel Cage

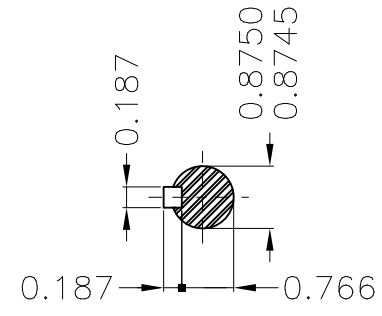
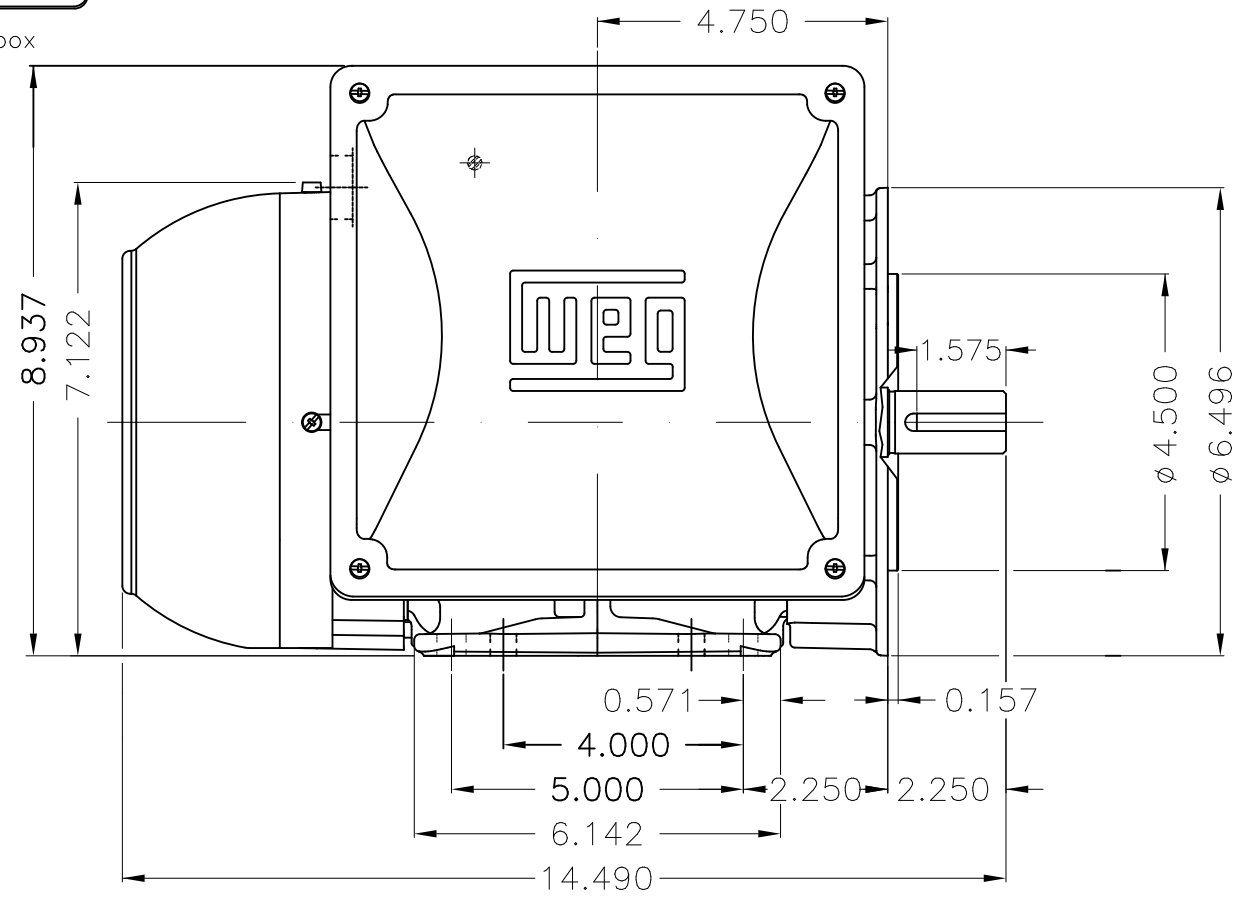
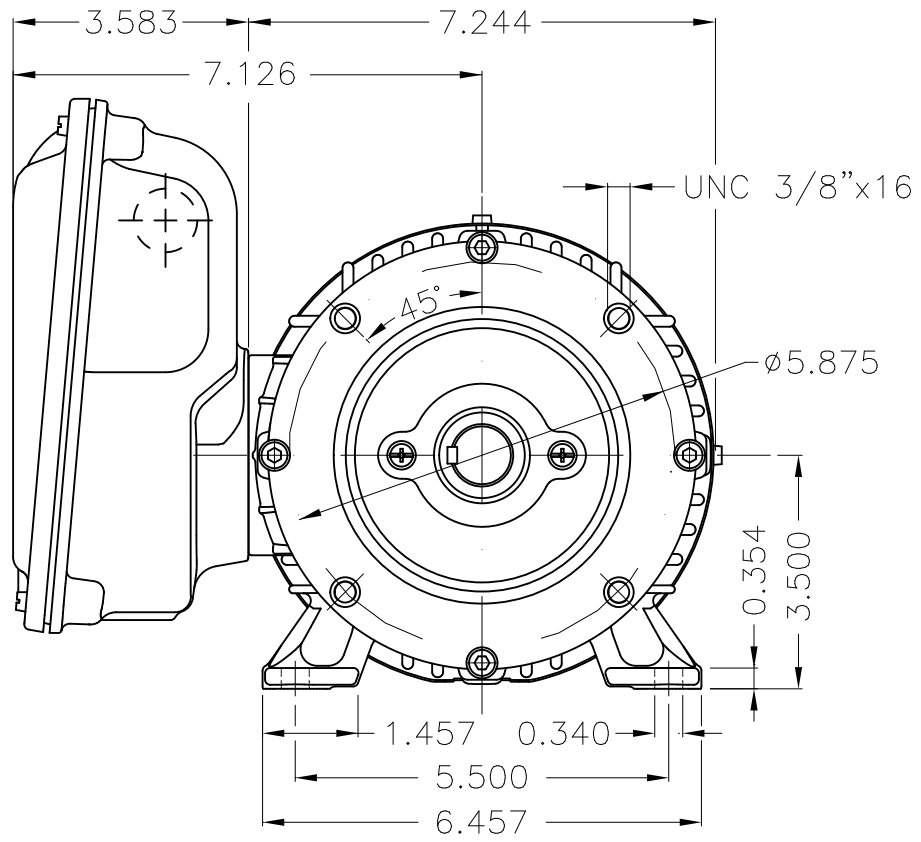
Customer :					
Product line : W22 Single-Phase		Product code : 14018469			
		Catalog # : 00336ES1E145TC-W22			
Frame	: 143/5TC	Locked rotor time	: 12s (cold) 7s (hot)		
Output	: 3 HP (2.2 kW)	Temperature rise	: 80 K		
Poles	: 2	Duty cycle	: Cont.(S1)		
Frequency	: 60 Hz	Ambient temperature	: -20°C to +40°C		
Rated voltage	: 208-230/460 V	Altitude	: 1000 m.a.s.l.		
Rated current	: 13.6-12.5/6.25 A	Protection degree	: IP55		
L. R. Amperes	: 97.9-90.0/45.0 A	Cooling method	: IC411 - TEFC		
LRC	: 7.2x(Code H)	Mounting	: F-1		
No load current	: 2.50-2.90/1.45 A	Rotation <sup>1</sup>	: Both (CW and CCW)		
Rated speed	: 3510 rpm	Noise level <sup>2</sup>	: 69.0 dB(A)		
Slip	: 2.50 %	Starting method	: Direct On Line		
Rated torque	: 4.49 ft.lb	Approx. weight <sup>3</sup>	: 68.7 lb		
Locked rotor torque	: 220 %				
Breakdown torque	: 240 %				
Insulation class	: F				
Service factor	: 1.15				
Moment of inertia (J)	: 0.0664 sq.ft.lb				
Output	25%	50%	75%	100%	
Efficiency (%)	70.2	72.5	76.0	78.5	
Power Factor	0.72	0.96	0.97	0.97	
Foundation loads					
Max. traction : 59 lb					
Max. compression : 128 lb					
		<u>Drive end</u>	<u>Non drive end</u>		
Bearing type	:	6205 ZZ	6203 ZZ		
Sealing	:	V'Ring	V'Ring		
Lubrication interval	:	-	-		
Lubricant amount	:	-	-		
Lubricant type	:	Mobil Polyrex EM			
Notes					
This revision replaces and cancel the previous one, which must be eliminated.					
(1) Looking the motor from the shaft end.					
(2) Measured at 1m and with tolerance of +3dB(A).					
(3) Approximate weight subject to changes after manufacturing process.					
(4) At 100% of full load.					
These are average values based on tests with sinusoidal power supply, subject to the tolerances stipulated in NEMA MG-1.					
Rev.	Changes Summary		Performed	Checked	Date
Performed by					
Checked by					
Date	23/09/2020			Page	Revision
				1 / 1	

THIS IS AN UPDATED REVISION, THE PREVIOUS ONE MUST BE DISREGARDED.



Grounding for leads 0.5–6 mm<sup>2</sup> / 20–10 AWG

Main terminal box



DE Shaft End

Bearing cap									
Mounting B34R(D)									
ECM	LOC	SUMMARY OF MODIFICATIONS			EXECUTED	CHECKED	RELEASED	DATE	VER
EXECUTED	USERADMIN	SINGLE PHASE MOTOR W22 NEMA							
CHECKED		FRAME 143/5TC IP55 TEFC							
RELEASED		WEG code: 14018469							
REL DT	23.09.2020	WMO	Jaragua do Sul	Product Engineering	SHEET	1 / 1			

3 HP 02 Poles 60Hz



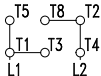
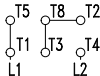


14018469

MADE IN BRAZIL

PH 1	FR 143/5TC	HP(kW) 3.0(2.2)	Hz 60	SF 1.15
V 230/460		A 12.5/6.25		RPM 3510
SFA		PF 0.97		DUTY CONT.
NEMA NOM EFF 78.5 %		INS. CL. F $\Delta$ T 80 K		AMB 40°C
USABLE @208V 13.6A 1.00SF			CODE H	ENCL TEFC

TO REVERSE ROTATION INTERCHANGE T5 AND T8

LOW  
VOLTAGEHIGH  
VOLTAGE

→ 6305-ZZ

→ 6203-ZZ

MOBIL POLYREX EM

ALT 1000 m.a.s.l. | 69 Lbs

MODEL 00336ES1E145TC-W22



3PT9

LISTED

Dealers Industrial Equipment Visit <https://www.weg.com>