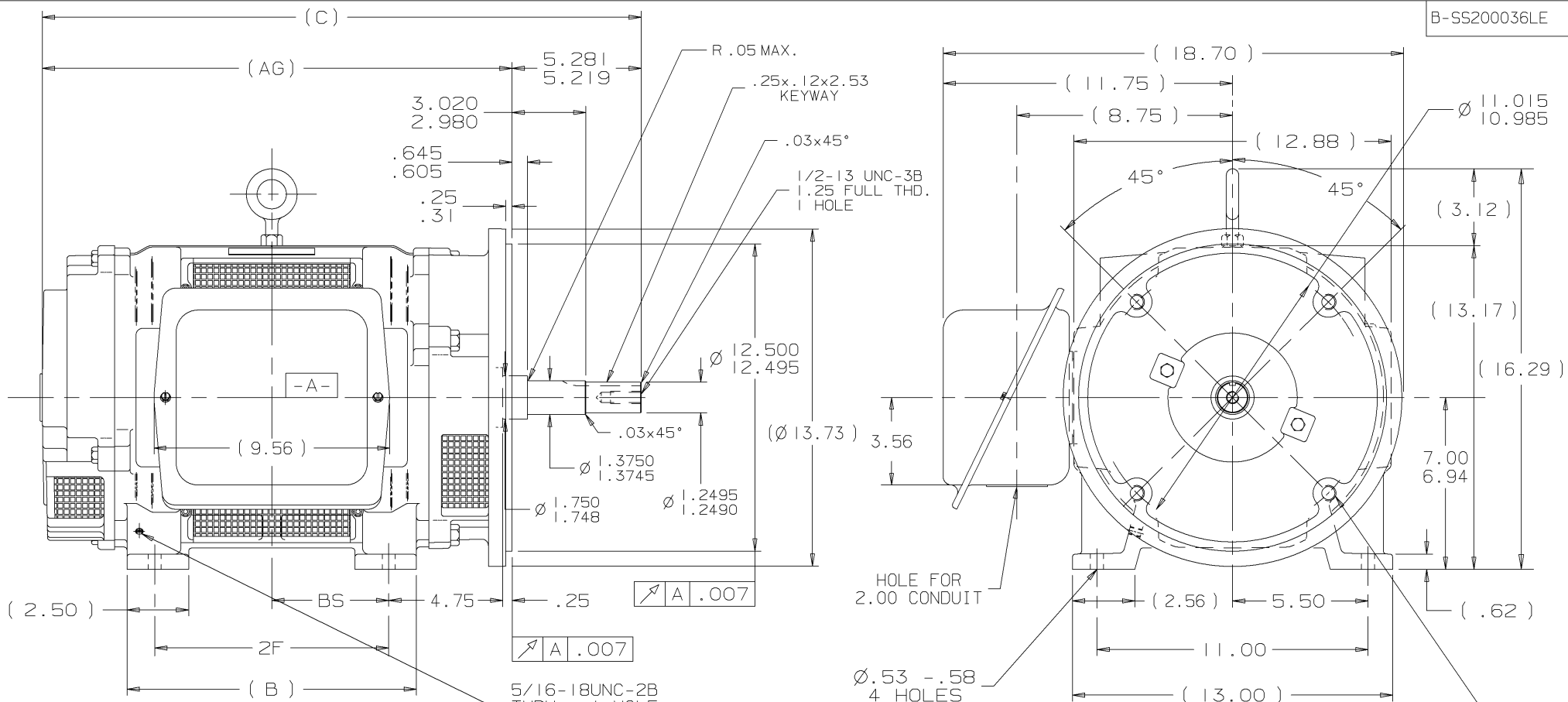


B-SS200036LE



- NOTES
1. BOX CAN BE ROTATED IN 90° STEPS
 2. BOX CAN BE MOUNTED ON OPPOSITE SIDE BY REMOVING BRACKETS AND TURNING FRAME 180°
 3. NAMEPLATE TO BE READ FROM CONDUIT BOX SIDE OF MOTOR

DASH	FRAME	B	C	2F	AG	BS
1275	284JM	11.75	24.31	9.50	19.06	4.75
1425	286JM	13.25	25.81	11.00	20.56	5.50

				TOLERANCES UNLESS SPECIFIED		LEESON		ELECTRIC MOTORS GEARMOTORS AND DRIVES		DRAWN NJS 02-20-2002	
				DEC.	TOLERANCE					CHK	DRS 03-27-2002
				.X	± .1					APPD	SB 03-27-2002
				.XX	± .03	TITLE		OUTLINE - DR.PR. - CAST IRON		SCALE	
				.XXX	± .005	280JM FR. - BB - TS - DBL. END VENT.				REF	
1 NEW DRAWING				DRS	±.0005	SURFACE ROUGHNESS UNLESS SPECIFIED		MAT'L.		FNF	
NO. REVISION				CHK	ANG ±7'30"	FINISH		PREV			
THIS DRAWING IN DESIGN AND DETAIL IS OUR PROPERTY AND MUST NOT BE USED EXCEPT IN CONNECTION WITH OUR WORK. ALL RIGHTS OF DESIGN AND INVENTION ARE RESERVED. THIS IS AN ELECTRONICALLY GENERATED DOCUMENT - DO NOT SCALE THIS PRINT				PURCHASED		CAD FILE SS200036LE		SHOP BOOK		SIZE B DRAWING NO. SS200036LE	
				DIST WA - LB - VA - OR - FL						REV. 1	