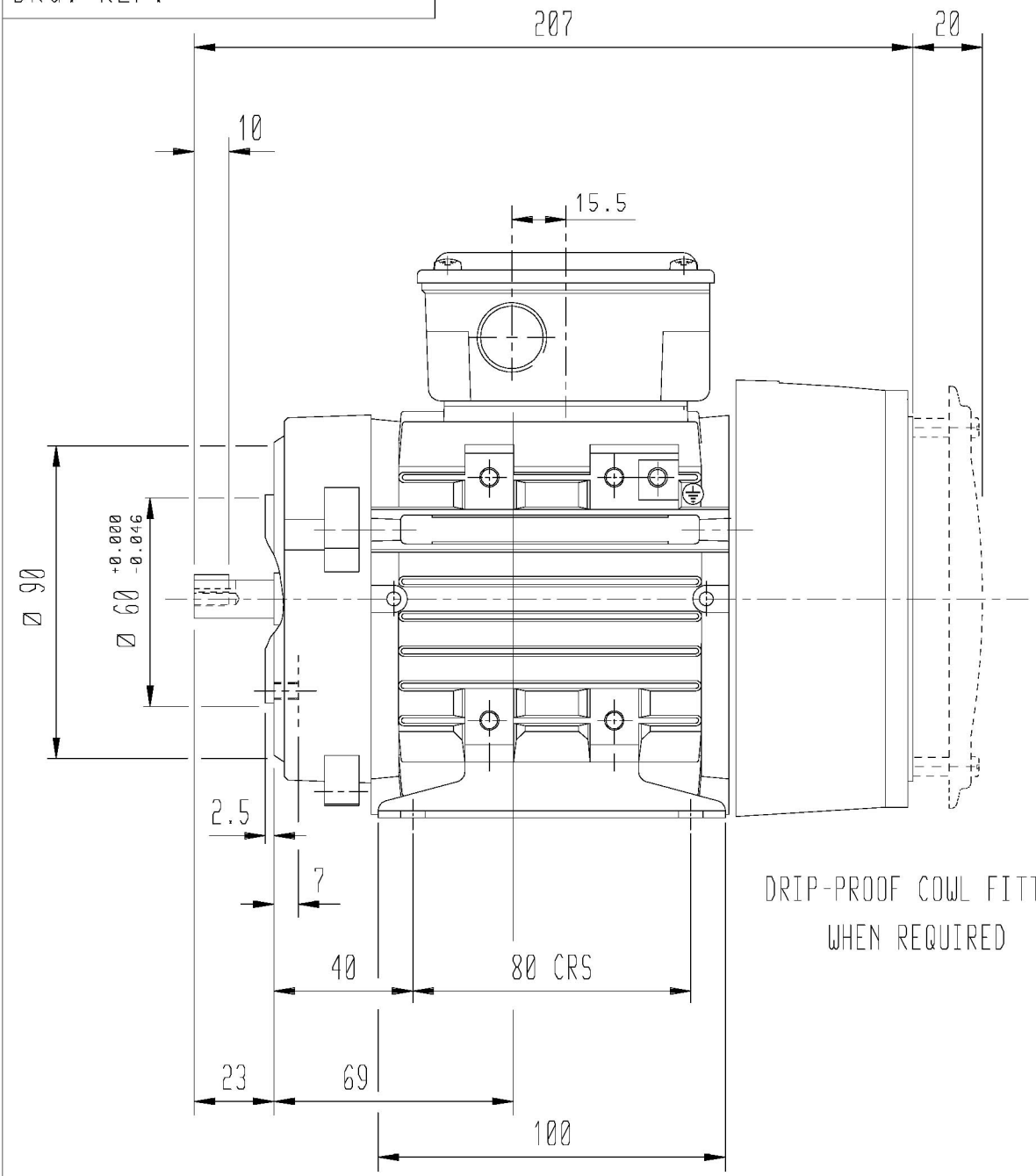
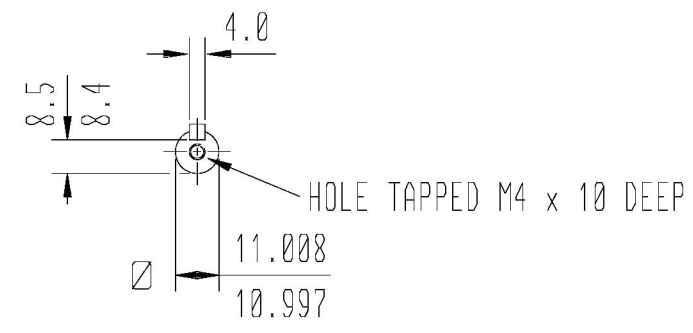
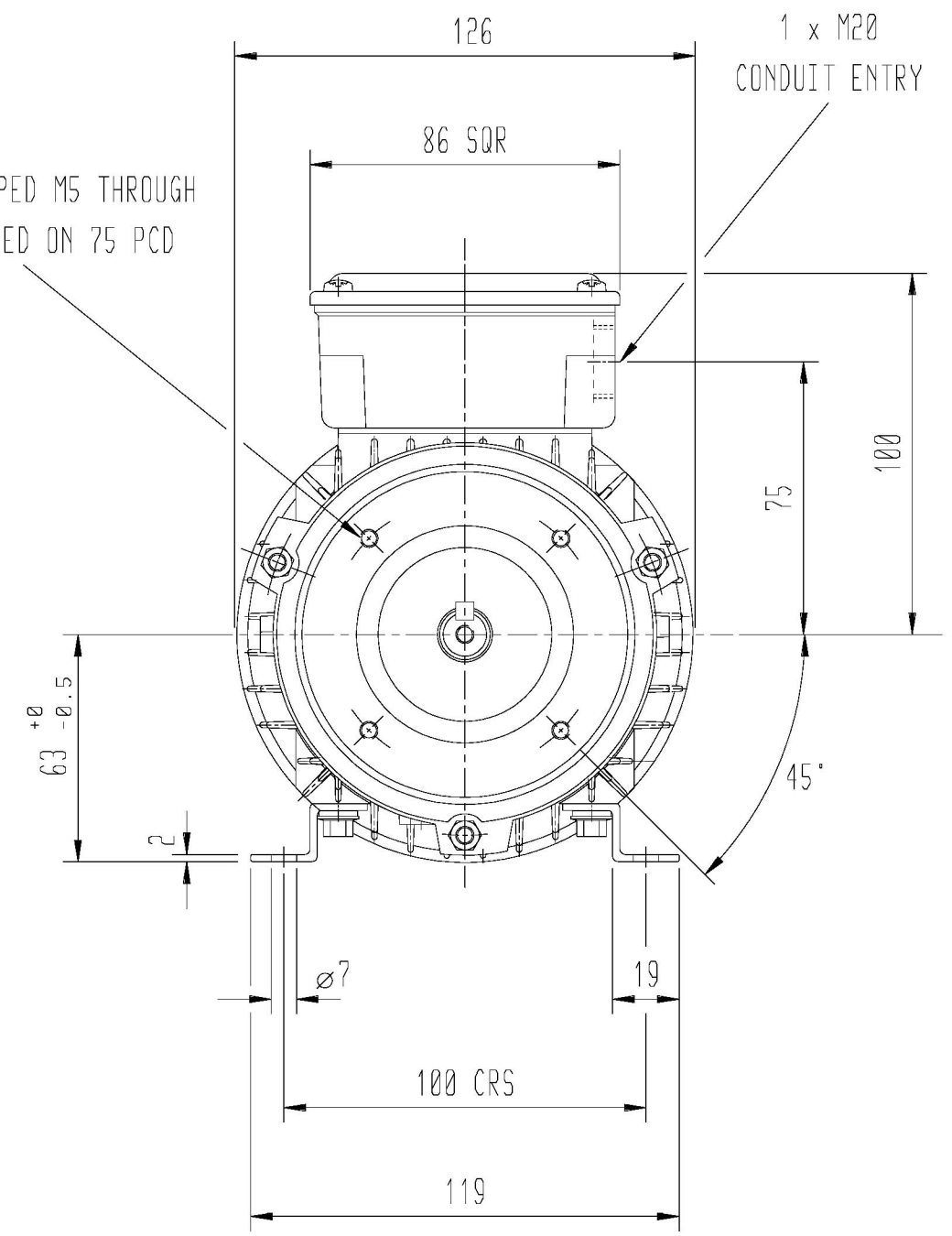


DRG. No.
 DRG. REF.



DRIP-PROOF COWL FITTED
 WHEN REQUIRED

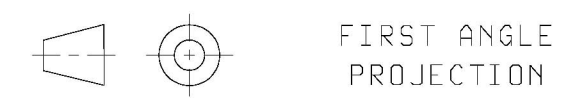
4 HOLES TAPPED M5 THROUGH
 EQUI-SPACED ON 75 PCD



TERMINAL BOX CAN BE ARRANGED IN 9 OR 3 O'CLOCK POSITIONS BY MOVING FEET.
 CONDUIT ENTRY CAN BE ARRANGED IN 4 ALTERNATIVE POSITIONS.
 ALL DIMENSIONS IN MILLIMETRES.
 CARE SHOULD BE TAKEN TO ENSURE THAT SCREWS OR FIXING STUDS DO NOT
 EXTEND INSIDE THE MOTOR BEYOND THE DEPTH OF THE THREAD FIXING HOLE.

CUSTOMER		
ORDER No.		
SERIAL No.		
FRAME SIZE		
KW.	RPM.	
Hz	PHASE	
VOLTS	POLES	
BRGS.	DE.	NDE.
MOTOR NETT WT.		Kg.
SPECIAL REMARKS		

ALL DIMENSIONS IN MILLIMETRES



BROOK CROMPTON

SHEET SIZE A3	TITLE	NAME	DATE
	OUTLINE DIMENSION DRAWING ALUMINIUM TOTALLY ENCLOSED FAN COOLED 63S FRAME FOOT & FACE MOUNTED MOTOR.		
	SCALE	1:2	

DRG. No.
DRG. REF.
REVISION:
DATE