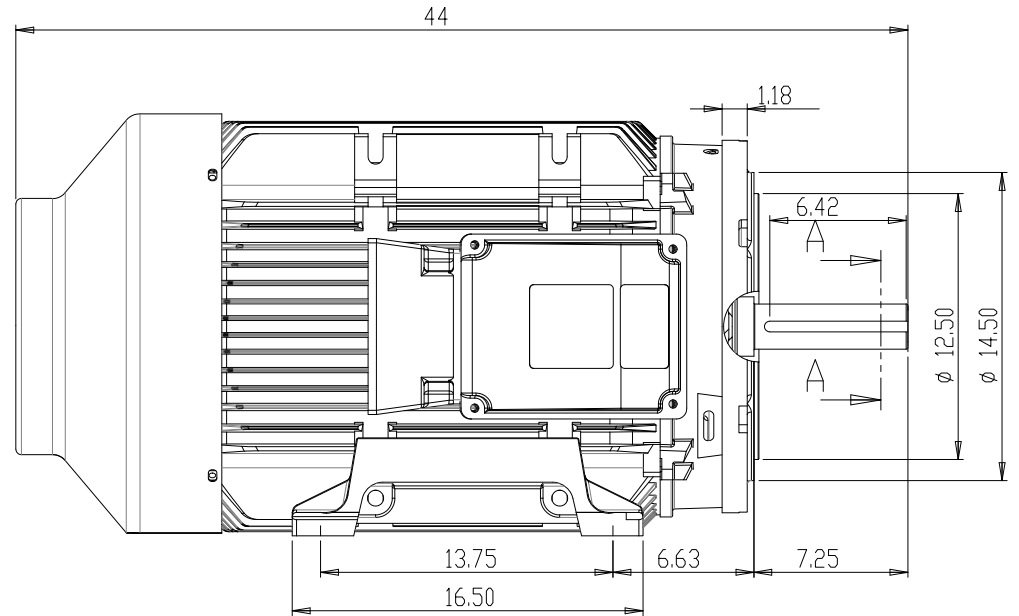


SECTION A-A

SCALE 1 : 2



	NAME	SIGNATURE	DATE			
DRAWN						
CHK'D						
APP'V'D						
MFG						
D/A						

BROOK CROMPTON

DWG. NO. WP-DF405TC

A3

SCALE:1:6

SHEET 1 OF 1