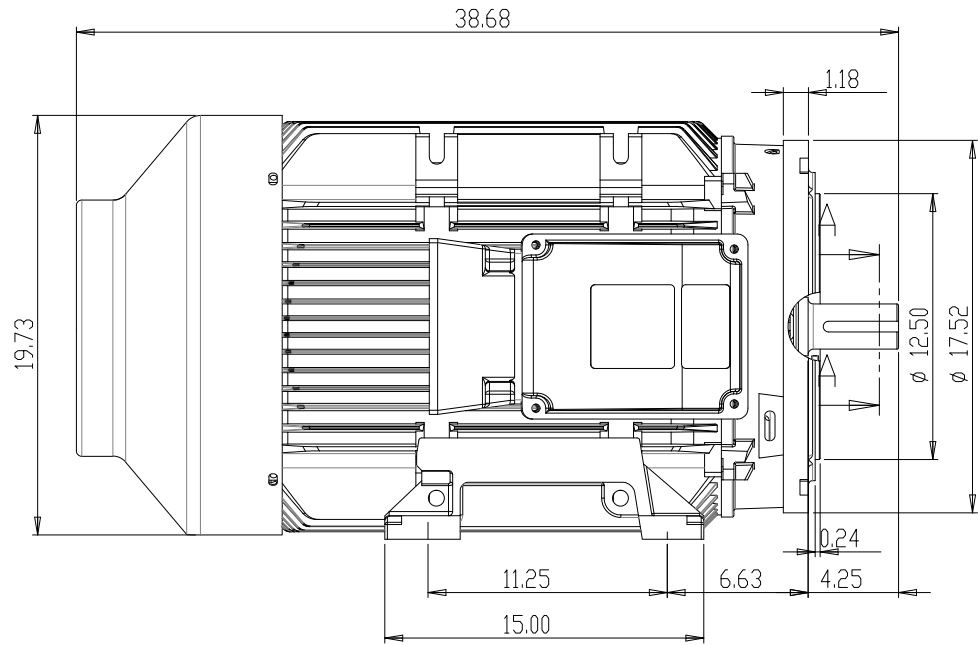


SECTION A-A

SCALE 1 : 2



	NAME	SIGNATURE	DATE			
DRAWN						
CHK'D						
APP'V'D						
MFG						
D.A.						

**BROOK CROMPTON**

DWG NO. WP-DF404TSC

A3