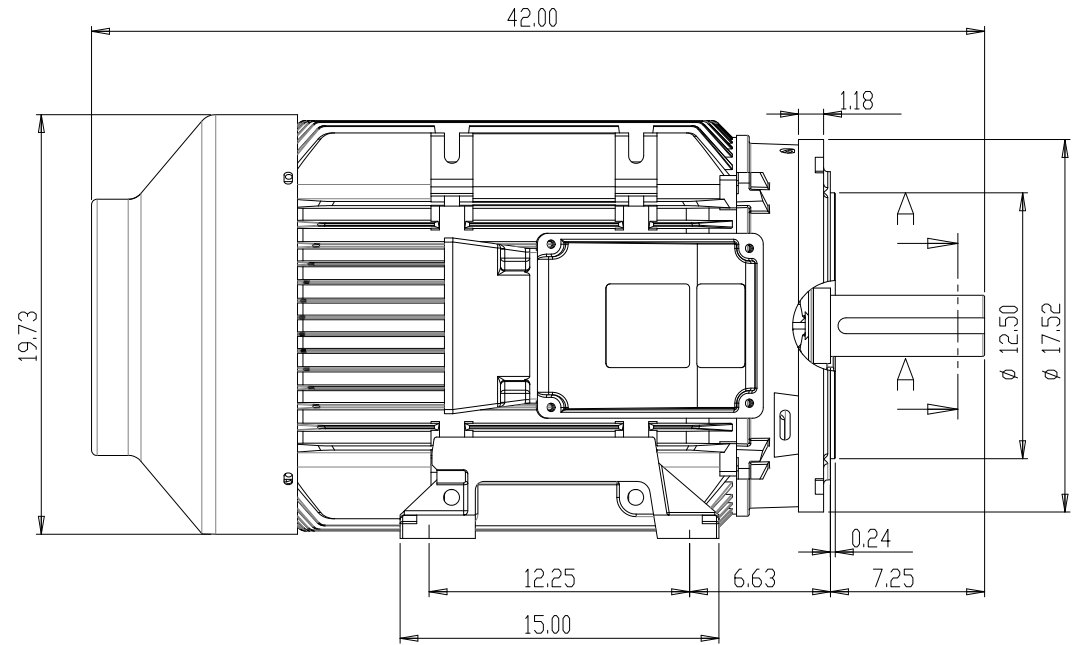


SECTION A-A

SCALE 1 : 2



	NAME	SIGNATURE	DATE			
DRAWN						
CHK'D						
APPV'D						
MFG						
DA						

BROOK CROMPTON

DWG. NO. WP-DF404TC

A3