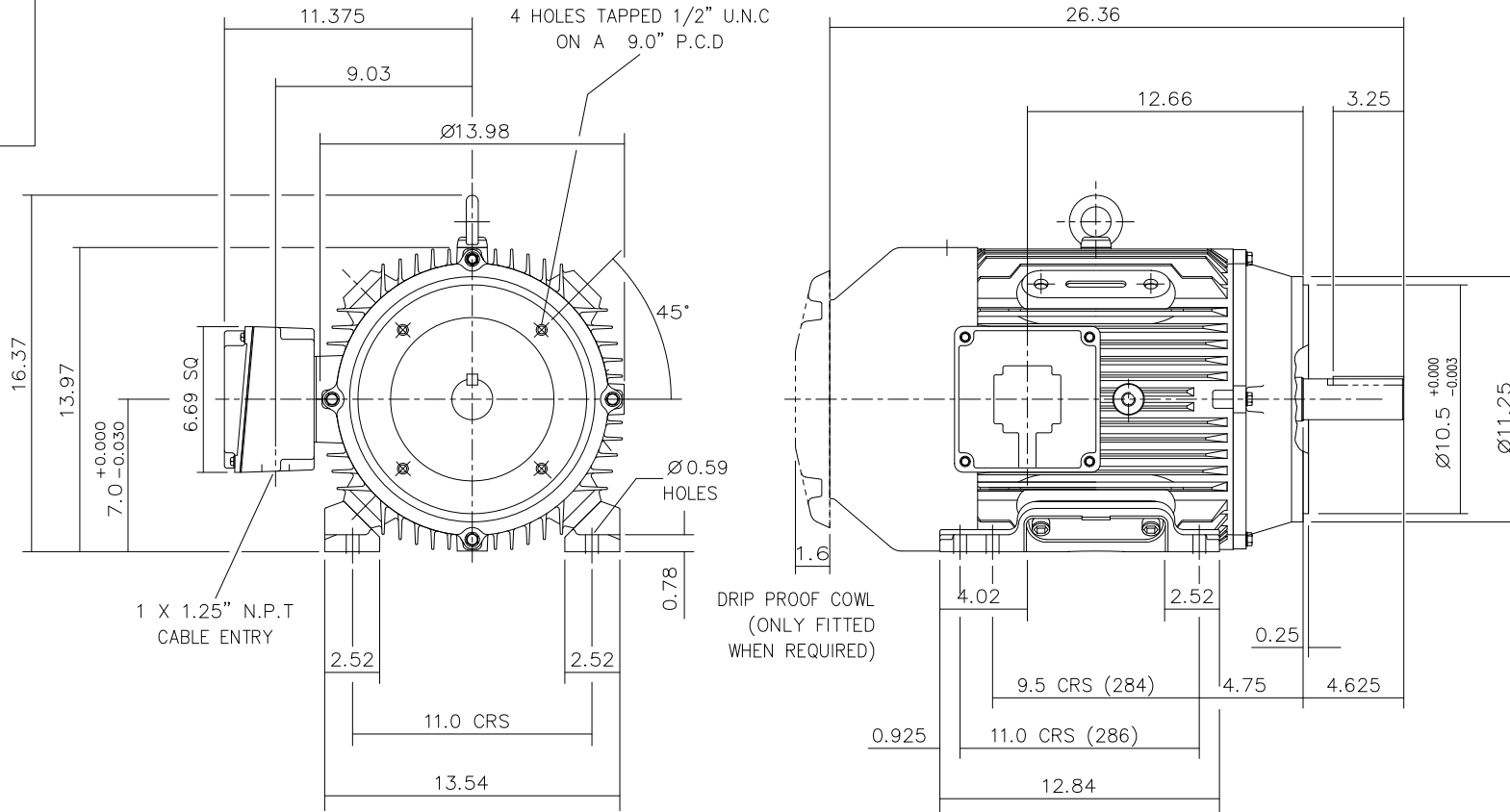


REF: A3NEW

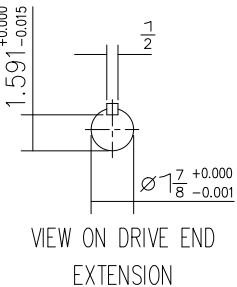
DRAWING NUMBER



CUSTOMER		
ORDER No.		
SERIAL No.		
FRAME SIZE		
KW.	RPM.	
Hz	PHASE	
VOLTS	POLES	
BRGS.	DE.	NDE.
MOTOR NETT WT.	Kg.	
SPECIAL REMARKS		

ALL DIMENSIONS IN INCHES.

FIRST ANGLE PROJECTION



DRAIN HOLES: - WHEN TERMINAL BOX IS MOVED FROM STANDARD POSITION THEY WILL NEED TO BE PLUGGED AND RE-LOCATED ELSEWHERE - IF REQUIRED

TERMINAL BOX POSITION : - CAN BE ARRANGED AT EITHER 9, 12 OR 3 O'CLOCK

CONDUIT ENTRIES: - TERMINAL BOX CAN BE ROTATED AT 90° INTERVALS (CONDUIT ENTRY POSITION SHOWN FOR ILLUSTRATION ONLY)

BROOK CROMPTON

SHEET SIZE A3	TITLE OUTLINE DIMENSION DRAWING W CAST IRON TOTALLY ENCLOSED FAN COOLED 284/6T FRAME FACE WITH FEET MOUNTED MOTOR	NAME	DATE	DRG. No.
		DRAWN		
		CHECKED		
		SCALE	1 : 6	
		REVISION:	DATE	