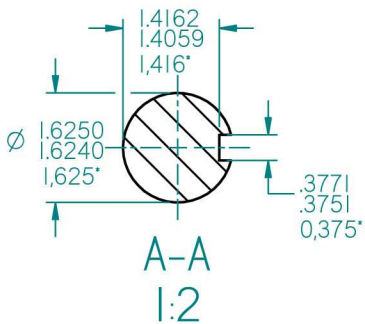


\* NEMA DIMENSIONS STANDARDS PUBLICATION

STANDARD TERMINAL BOX POSITION IS 9 O'CLOCK AS SHOWN.  
 CONDUIT ENTRIES:- TERMINAL BOX CAN BE ROTATED AT 90° INTERVALS  
 (CONDUIT ENTRY POSITION SHOWN FOR ILLUSTRATION ONLY)



ALL DIMENSIONS IN INCHES

FIRST ANGLE PROJECTION

**BROOK CROMPTON**

SHEET SIZE

A3

TITLE:

OUTLINE DIMENSION DRAWING W CAST IRON TOTALLY ENCLOSED FAN COOLED WP-DF256TD-T2 2P FRAME FOOT & D FLANGE MOUNTED MOTOR

|         | NAME | DATE     |
|---------|------|----------|
| DRAWN   | DL   | 26-11-12 |
| CHECKED |      |          |
| SCALE   | 1:2  |          |

|           |  |
|-----------|--|
| DRG. No.  |  |
| DRG. REF. |  |
| REVISION: |  |
| DATE:     |  |