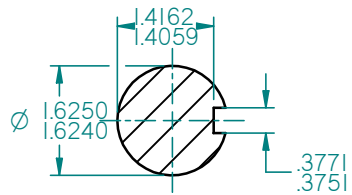
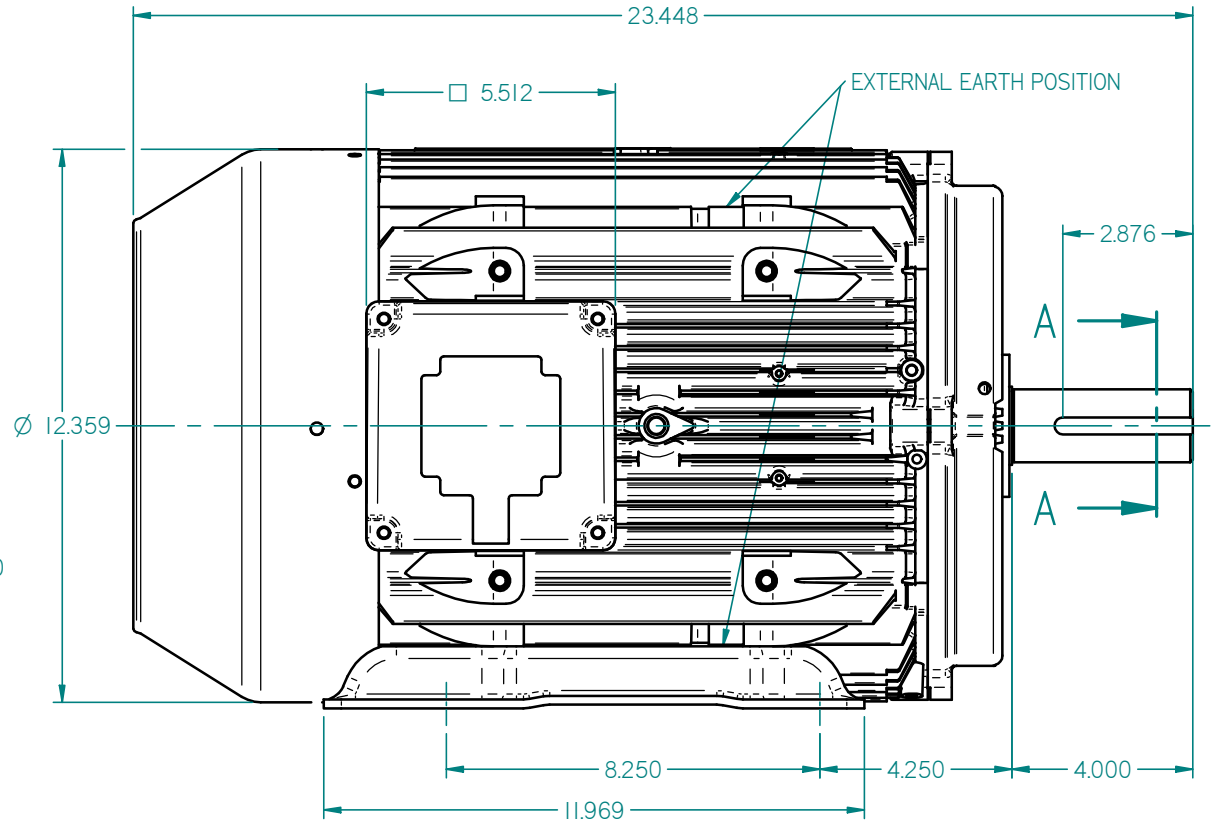


CABLE ENTRIES 1X1.25" NPT



A-A  
1:2

STANDARD TERMINAL BOX POSITION IS 9 O'CLOCK AS SHOWN.  
CONDUIT ENTRIES:- TERMINAL BOX CAN BE ROTATED AT 90° INTERVALS  
(CONDUIT ENTRY POSITION SHOWN FOR ILLUSTRATION ONLY)



EXTERNAL EARTH POSITION

ALL DIMENSIONS IN INCHES



FIRST ANGLE  
PROJECTION

**BROOK  
CROMPTON**

SHEET  
SIZE

A3

TITLE:

OUTLINE DIMENSION DRAWING W ALUMINIUM TOTALLY ENCLOSED FAN COOLED  
WP-DA254T-R4 4P FRAME FOOT MOUNTED MOTOR

	NAME	DATE
DRAWN	DL	29-11-12
CHECKED		
SCALE	1:3	

DRG. No.	
DRG. REF.	
REVISION:	DATE: