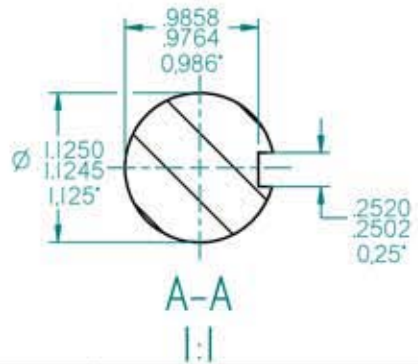


* NAMA DIMENSIONS STANDARDS PUBLICATION

STANDARD TERMINAL BOX POSITION IS 9 O'CLOCK AS SHOWN.
 CONDUIT ENTRIES:- TERMINAL BOX CAN BE ROTATED AT 90° INTERVALS
 (CONDUIT ENTRY POSITION SHOWN FOR ILLUSTRATION ONLY)



ALL DIMENSIONS IN INCHES

FIRST ANGLE PROJECTION

BROOK CROMPTON

Produced by *Tamel* a company of **ATB**

SHEET SIZE A3	TITLE:	OUTLINE DIMENSION DRAWING W ALUMINIUM TOTALLY ENCLOSED FAN COOLED WP-DA184TH-S2 2P FRAME FOOT & D FLANGE MOUNTED MOTOR
-------------------------	--------	--

	NAME	DATE	DRG. No.
DRAWN	DL	23-11-12	DRG. REF.
CHECKED			REVISION:
SCALE	1:2		DATE: