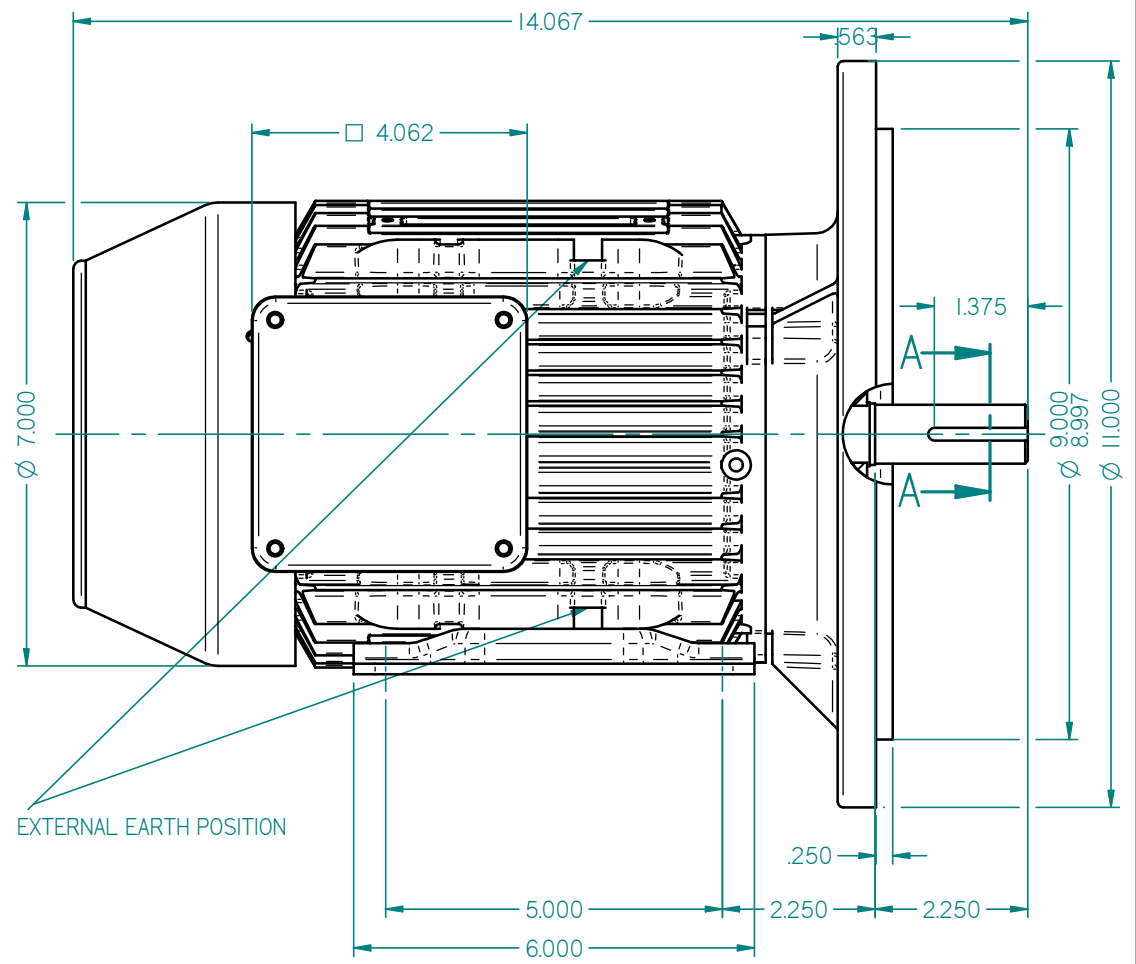


4 HOLES TAPPED 0.531" EQUI-SPACED AS SHOWN ON A 10" PCD



STANDARD TERMINAL BOX POSITION IS 9 O'CLOCK AS SHOWN.
CONDUIT ENTRIES:- TERMINAL BOX CAN BE ROTATED AT 90° INTERVALS
(CONDUIT ENTRY POSITION SHOWN FOR ILLUSTRATION ONLY)

ALL DIMENSIONS IN INCHES

FIRST ANGLE PROJECTION



SHEET SIZE
A3

TITLE:
OUTLINE DIMENSION DRAWING W ALUMINIUM TOTALLY ENCLOSED FAN COOLED
WP-DA145TD-WX4 4P FRAME FOOT & D FLANGE MOUNTED MOTOR

	NAME	DATE
DRAWN	DL	23-11-12
CHECKED		
SCALE	1 : 2	

DRG. No.	
DRG. REF.	
REVISION:	DATE: