

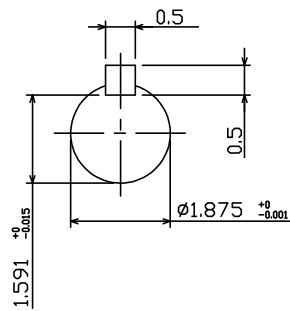
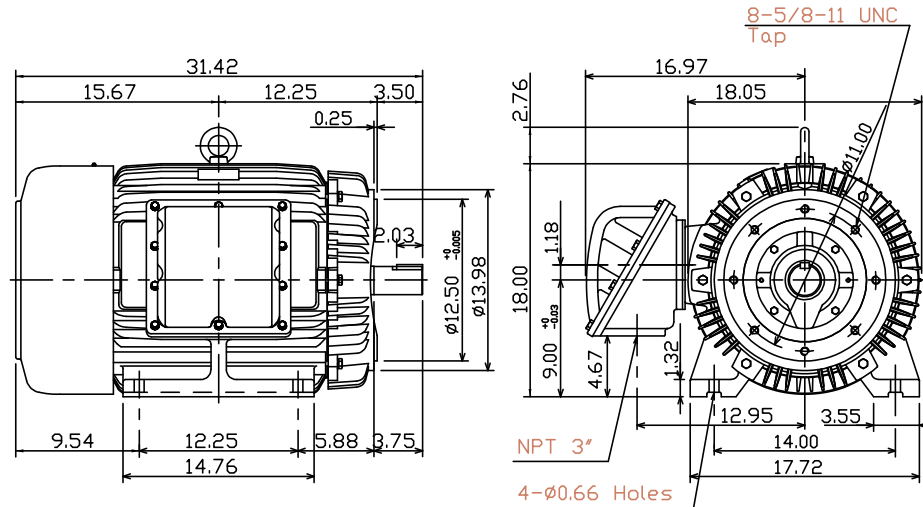
OUTLINE DIMENSIONS

MOTOR TYPE:

3-PHASE INDUCTION MOTOR

FRAME NO. 365TSC

Totally Enclosed Fan-Cooled Type, Squirrel-cage Rotor.



Note:
 1. Explosion proof:
 Class I Group D and
 Class II Group E,F,G.

BROOK CROMPTON

DWG NO.