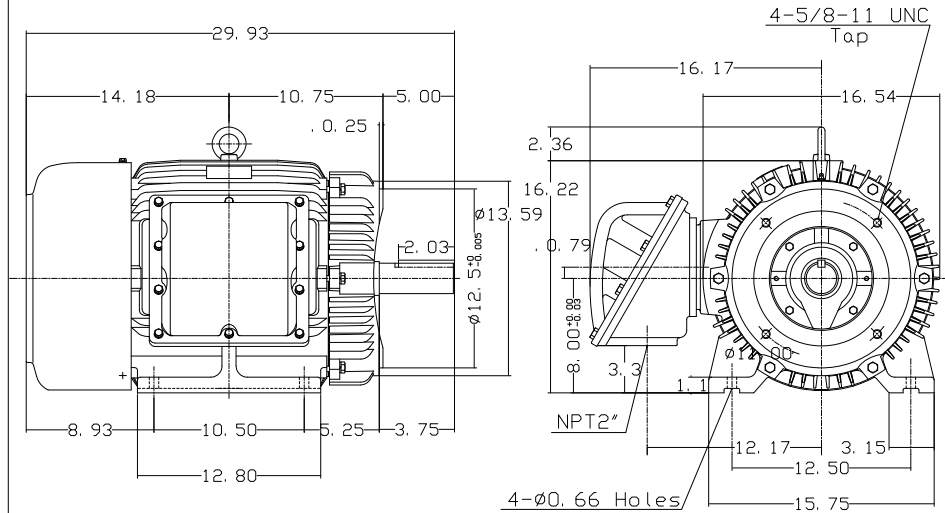


DATE APRIL 6, 2007	OUTLINE DIMENSIONS 3-PHASE INDUCTION MOTOR	MOTOR TYPE:
CATALOG NO.		FRAME NO. 324TSC

Pole	HP	KW	Hz	VOLT	Syn. Speed r/min(rpm)
Ins	Rating	Dimension in	Approx Weight	Bearings	
F	CONT.	inches	715 LBS	DE: 6312	NDE: 6212

Totally Enclosed Fan Cooled Type. Squirrel-cage Rotor.



Note:
1. Explosion proof:
Class I Group D and
Class II Group E, F, G.

DWN.		11-30-00	BROOK CROMPTON	DWG NO.
CHKD.		03-07-01		
APPD.		03-07-01		