

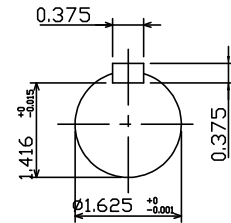
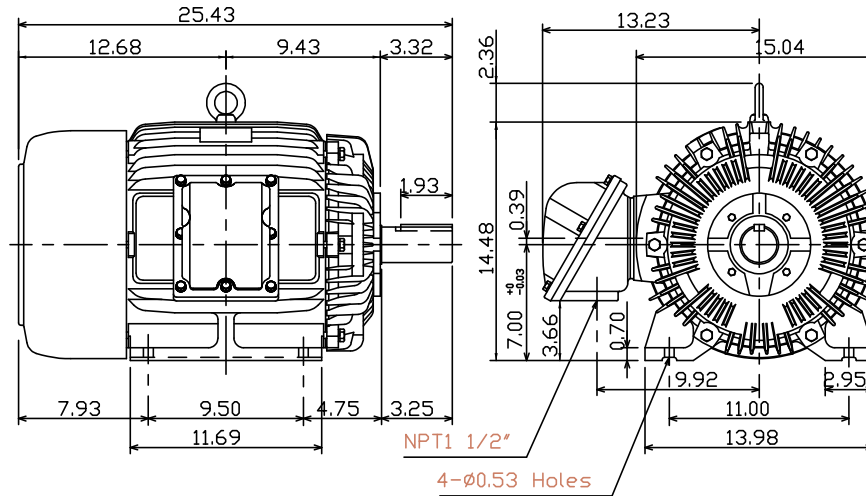
OUTLINE DIMENSIONS

MOTOR TYPE:

3-PHASE INDUCTION MOTOR

FRAME NO. 284TS

Totally Enclosed Fan-Cooled Type, Squirrel-cage Rotor.



Note:

- Explosion-proof:
Class I Group D and
Class II Group E,F,G.

**BROOK
CROMPTON**

DWG NO.