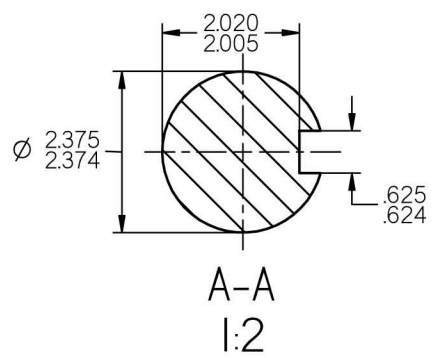


STANDARD TERMINAL BOX POSITION IS 9 O'CLOCK AS SHOWN.
 CONDUIT ENTRIES:- TERMINAL BOX CAN BE ROTATED AT 90° INTERVALS
 (CONDUIT ENTRY POSITION SHOWN FOR ILLUSTRATION ONLY)



ALL DIMENSIONS IN INCHES

FIRST ANGLE PROJECTION

BROOK CROMPTON

SHEET SIZE
A3

TITLE:
OUTLINE DIMENSION DRAWING W CAST IRON TOTALLY ENCLOSED FAN COOLED WP-DF447T-P4 FRAME FOOT/D-FLANGE MOUNTED MOTOR

	NAME	DATE
DRAWN	JS	26-03-2013
CHECKED		
SCALE	1:6	

DRG. No.	
DRG. REF.	
REVISION:	
DATE:	