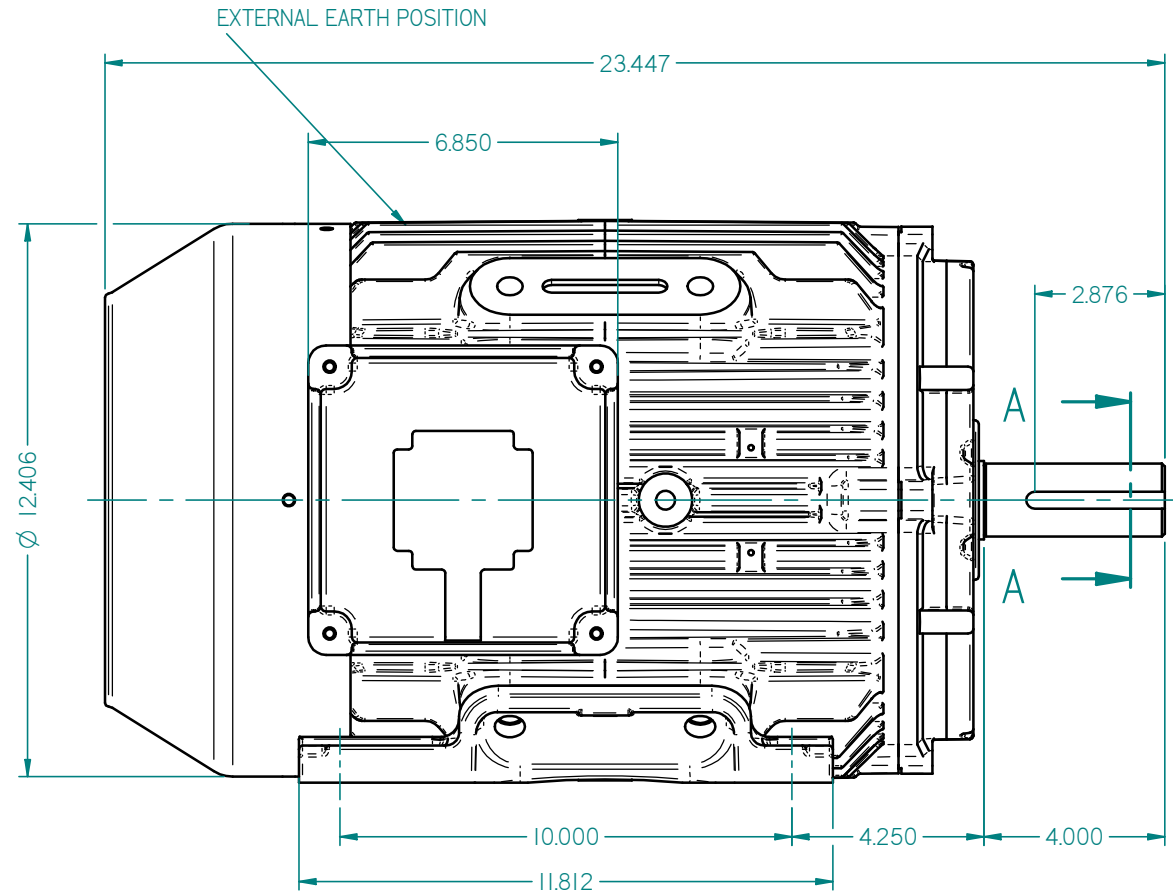
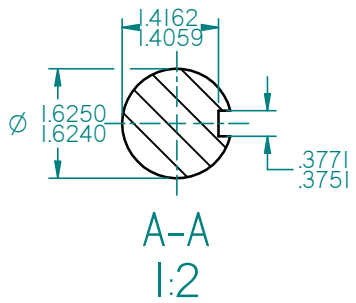


CABLE ENTRIES IX1.25" NPT



STANDARD TERMINAL BOX POSITION IS 9 O'CLOCK AS SHOWN.
 CONDUIT ENTRIES:- TERMINAL BOX CAN BE ROTATED AT 90° INTERVALS
 (CONDUIT ENTRY POSITION SHOWN FOR ILLUSTRATION ONLY)

ALL DIMENSIONS IN INCHES

FIRST ANGLE PROJECTION

BROOK CROMPTON

SHEET SIZE
A3

TITLE:
OUTLINE DIMENSION DRAWING W CAST IRON TOTALLY ENCLOSED FAN COOLED
WP-DF256T-X4 4P FRAME FOOT MOUNTED MOTOR

	NAME	DATE
DRAWN	DL	26-11-12
CHECKED		
SCALE	1 : 2	

DRG. No.	
DRG. REF.	
REVISION:	DATE: