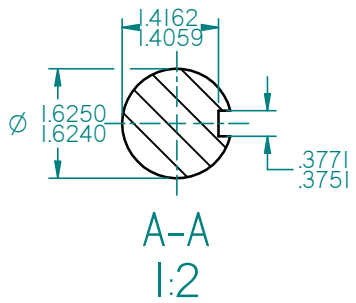
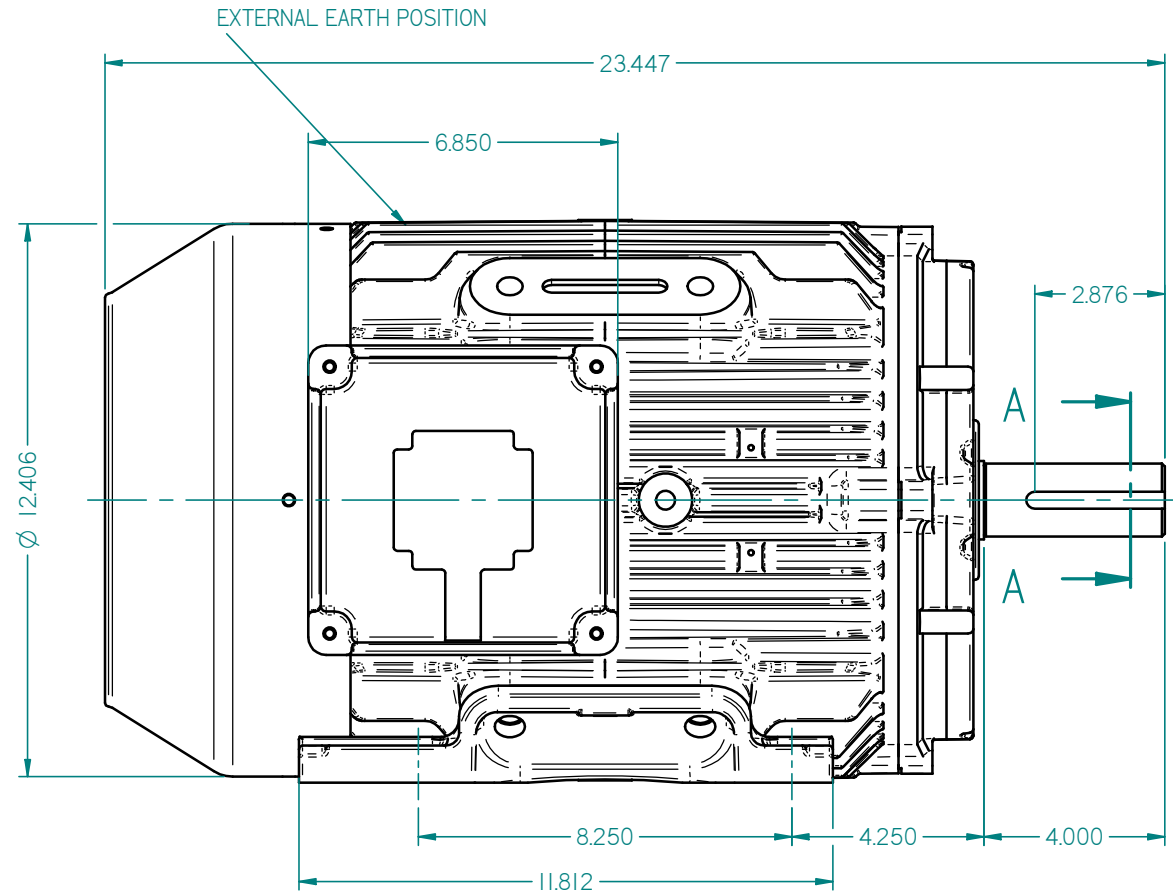


CABLE ENTRIES IX1.25" NPT



STANDARD TERMINAL BOX POSITION IS 9 O'CLOCK AS SHOWN.  
CONDUIT ENTRIES:- TERMINAL BOX CAN BE ROTATED AT 90° INTERVALS  
(CONDUIT ENTRY POSITION SHOWN FOR ILLUSTRATION ONLY)



ALL DIMENSIONS IN INCHES



FIRST ANGLE  
PROJECTION

**BROOK  
CROMPTON**

SHEET  
SIZE

A3

TITLE:

OUTLINE DIMENSION DRAWING W CAST IRON TOTALLY ENCLOSED FAN COOLED  
WP-DF254T-R4 4P FRAME FOOT MOUNTED MOTOR

	NAME	DATE
DRAWN	DL	26-11-12
CHECKED		
SCALE	1 : 2	

DRG. No.

DRG. REF.

REVISION:

DATE: