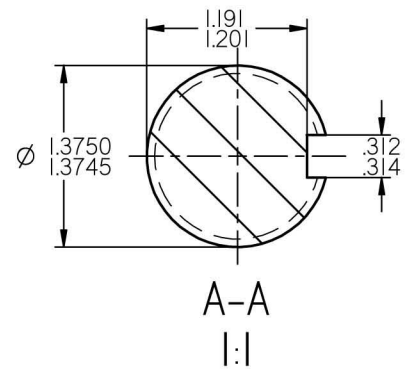


STANDARD TERMINAL BOX POSITION IS 9 O'CLOCK AS SHOWN.  
 CONDUIT ENTRIES:- TERMINAL BOX CAN BE ROTATED AT 90° INTERVALS  
 (CONDUIT ENTRY POSITION SHOWN FOR ILLUSTRATION ONLY)



ALL DIMENSIONS IN INCHES



**BROOK CROMPTON**

SHEET SIZE <b>A3</b>	TITLE: <b>OUTLINE DIMENSION DRAWING W CAST IRON TOTALLY ENCLOSED FAN COOLED WP-DF215T-VX4 FRAME FOOT &amp; D FLANGE MOUNTED MOTOR</b>	NAME	DATE	DRG. No.
		DRAWN	JS	2013-03-25
		CHECKED		DRG. REF.
		SCALE	1:3	REVISION: