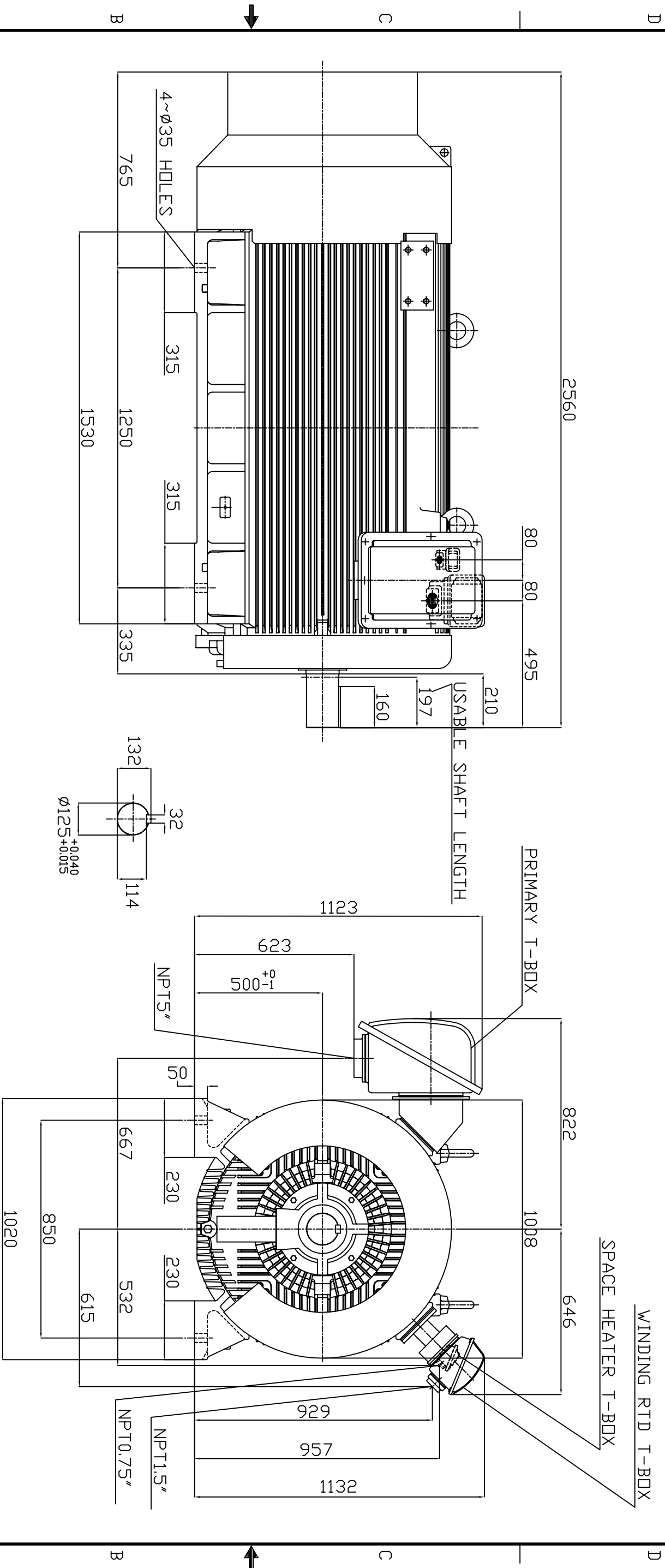


| TYPE | OUTPUT | | POLE | TIME RATING | VOLTAGE V | Hz | SYN.SPEED R.P.M |
|--------|--------|-----|------|-------------|-----------|----|-----------------|
| | HP | KW | | | | | |
| AEJHTK | 1250 | 930 | 6 | CDNT. | 2300/4160 | 60 | 1200 |

TOTALLY ENCLOSED FAN COOLED TYPE. SQUIRREL CAGE ROTOR



1. DIMENSIONS IN MM
2. FRAME NO. 500C
3. F CLASS INSULATION
4. FOR DIRECT FLEXIBLE COUPLING
5. WITH SPACE HEATER 120 VOLT SINGLE PHASE 400 WATTS
6. WITH 100 OHM PLATINUM WINDING RTD'S 2/PHASE
7. BEARING SIZE: DRIVE END: 6326
NON-DRIVE END: 6324M/C3 VL024
8. MOTOR APPROX. WEIGHT: 5200 KGS

TW-66C

| | | |
|-------|---------|---------------|
| DW/N. | W.L.LIN | APR. 22. 2003 |
| CHKD. | W.L.LIN | APR. 22. 2003 |
| APPD. | C.WANG | APR. 22. 2003 |

| | | |
|-------------|-------------|-------------------------|
| DATE | MAY 7, 2004 | OUTLINE DIMENSIONS |
| CATALOG NO. | JH12506 | 3-PHASE INDUCTION MOTOR |
| | | DWG NO. 3A040T4094 |
| | | REV: 00 |

TECO Westinghouse

| | | |
|------------------------------------|--------------------------------|----------------------------|
| ISSUED November 18, 2013 | PERFORMANCE DATA | ENCLOSURE TEFC |
| TYPE AEJH | 3-PHASE INDUCTION MOTOR | CATALOG# JH12506 |

NAMEPLATE INFORMATION

| OUTPUT | | POLE | FRAME SIZE | VOLTAGE | HZ | RATED AMBIENT | INS. CLASS | NEMA DESIGN | TIME RATING | SERVICE FACTOR |
|-------------|------------|----------|-------------|------------------|-----------|---------------|------------|-------------|--------------|----------------|
| HP | KW | | | | | | | | | |
| 1250 | 933 | 6 | 500C | 2300/4160 | 60 | 40°C | F | B | CONT. | 1.15 |

TYPICAL PERFORMANCE

| FULL LOAD RPM | EFFICIENCY | | | | POWER FACTOR | | | MAXIMUM POWER FACTOR CORRECTION |
|---------------|-------------|-------------|------------|-------------|--------------|-------------|------------|---------------------------------|
| | FULL LOAD | | 3/4 LOAD % | 1/2 LOAD % | F. L. % | 3/4 LOAD % | 1/2 LOAD % | |
| | MIN. % | NOM. % | | | | | | |
| 1188 | 95.5 | 96.2 | 96 | 94.5 | 86 | 82.5 | 76 | 293 KVAR |

CURRENTS

| NO LOAD | | FULL LOAD | | LOCKED ROTOR | | NEMA KVA CODE LETTER |
|--------------|--------------|---------------|---------------|----------------|----------------|----------------------|
| AT | AT | AT | AT | AT | AT | |
| 2300 VOLT | 4160 VOLT | 2300 VOLT | 4160 VOLT | 2300 VOLT | 4160 VOLT | |
| 73.10 | 40.60 | 283.00 | 156.00 | 1977.00 | 1093.00 | G |

TORQUE

INERTIA

ACCEL TIME

| FULL LOAD lb-ft | LOCKED ROTOR %FLT | PULL UP %FLT | BREAK DOWN %FLT | ROTOR WR ² lb-ft ² | NEMA LOAD WK ² lb-ft ² | MAX ALLOWABLE WK ² lb-ft ² | NEMA LOAD WK ² Sec | MAX ALLOWABLE WK ² Sec |
|-----------------|-------------------|--------------|-----------------|--|--|--|-------------------------------|-----------------------------------|
| | | | | | | | | |

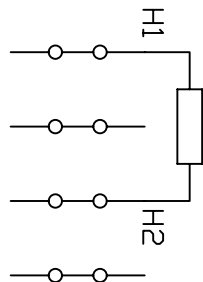
SAFE STALL TIME IN SECONDS

ALLOWABLE STARTS PER HOUR

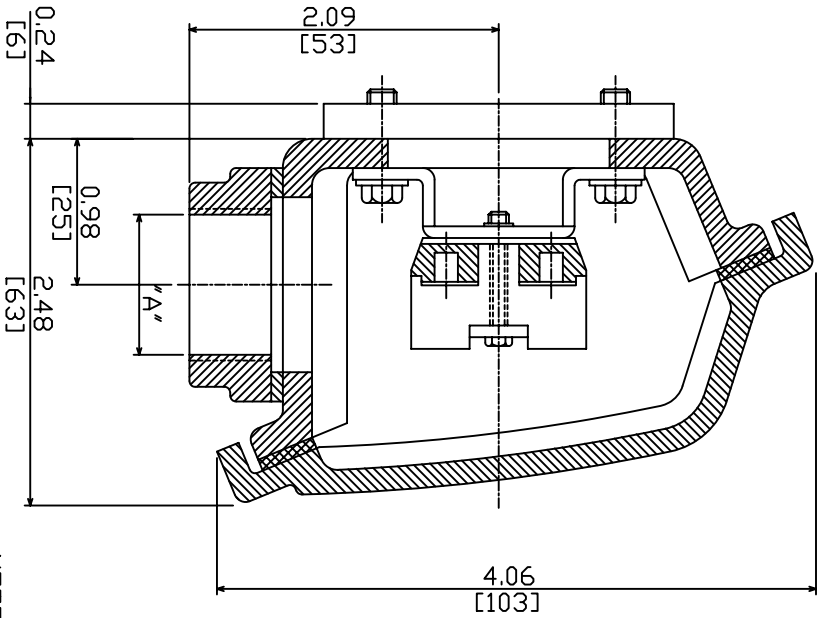
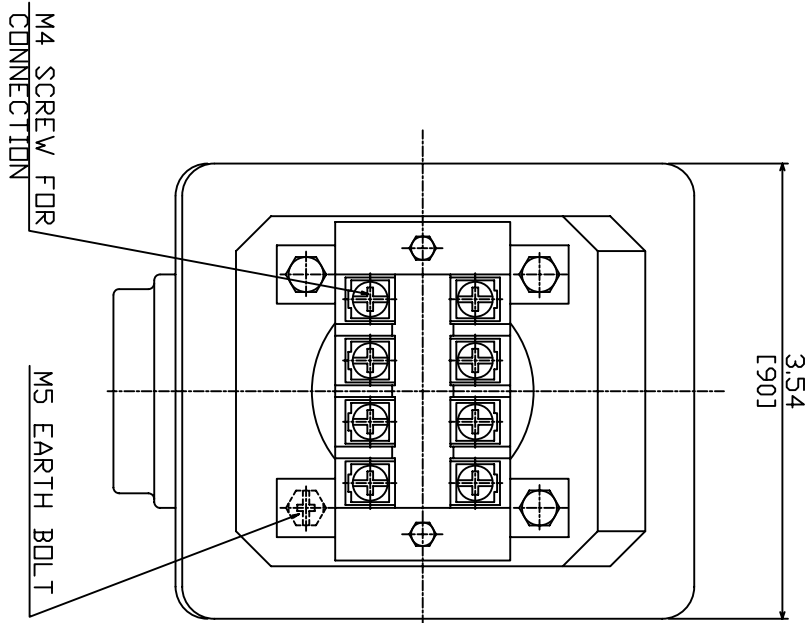
SOUND PRESSURE LEVEL @ 3 FT dB(A)

| SAFE STALL TIME IN SECONDS | | ALLOWABLE STARTS PER HOUR | | SOUND PRESSURE LEVEL @ 3 FT dB(A) |
|----------------------------|-----------|---------------------------|----------|-----------------------------------|
| COLD | HOT | COLD | HOT | |
| 22 | 16 | 3 | 2 | 85 |

| | | | | |
|-----------|------------------|-------------|---------------------|---------------|
| APPROVED: | M. PRATER | DRAWING NO. | 3A057JH12506 | REV. 1 |
|-----------|------------------|-------------|---------------------|---------------|



| 項 | A |
|----|-------------|
| 01 | NPT - 0.75" |
| 02 | |
| 03 | |
| 04 | |
| 05 | |
| 06 | |
| 07 | |
| 08 | |
| 09 | |
| 10 | |
| 11 | |



NOTE:
 1. DIMENSIONS IN INCHES [MM].
 2. TW-06
 3. SPACE HEATER T-BOX.
 4. ENCLOSURE:IP55.

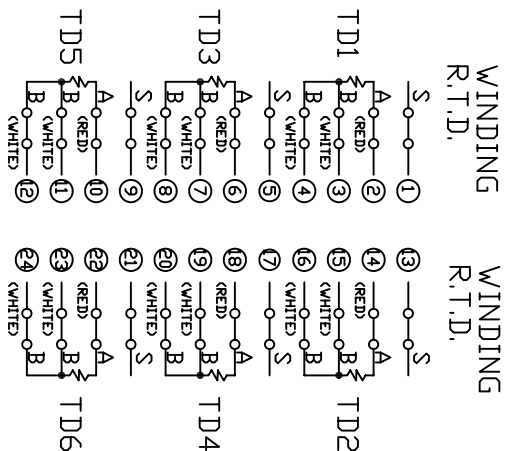
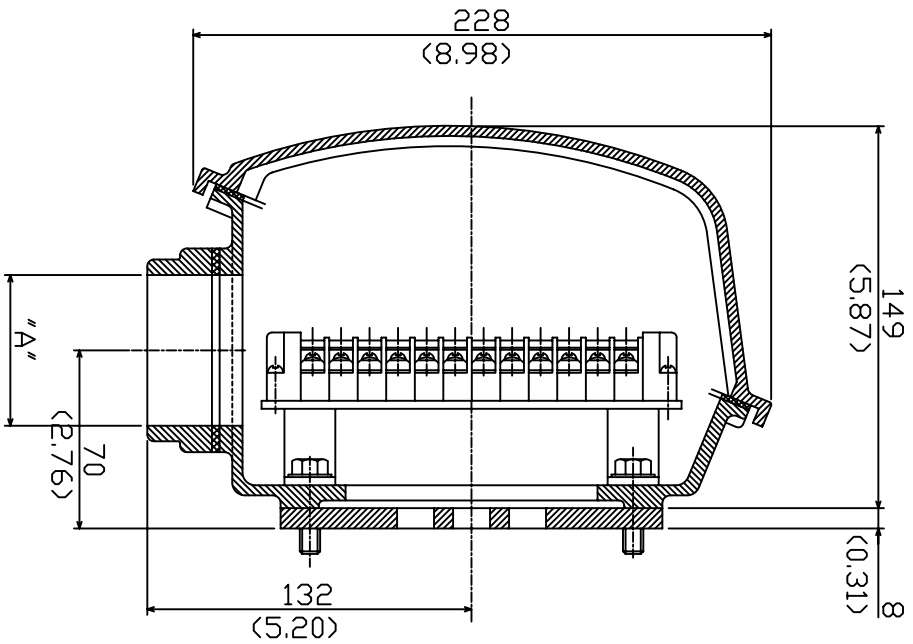
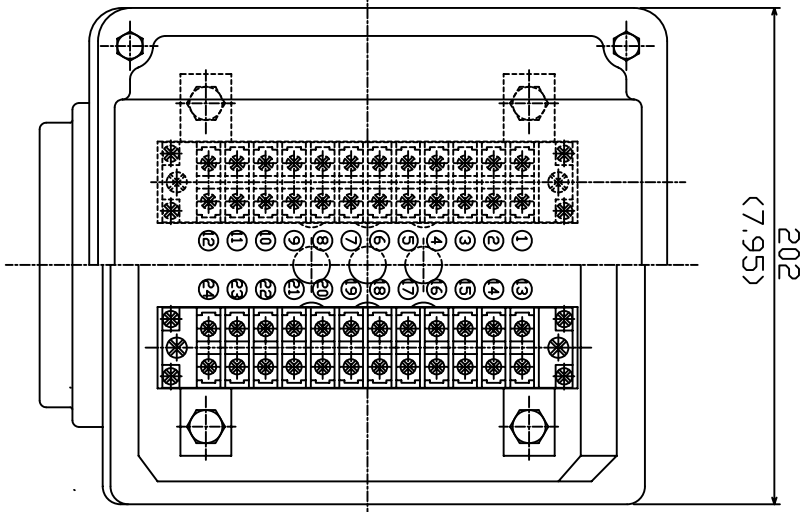
DATE _____
 SCHEMATIC DRAWING
 TERMINAL BOX

| DWN. | HHUANG | JUL - 19 - 2003 |
|-------|--------|-----------------|
| CHKD. | HHUANG | JUL - 19 - 2003 |
| APPD. | C.WANG | JUL - 19 - 2003 |



DWG NO. 3A040U272
 REV: 02

- NOTE:
1. DIMENSION IN MILLICHESES.
 2. TW-36
 3. WINDING R.T.D. T-BOX.
 4. TD1 & TD2 FOR UKA) PHASE
TD3 & TD4 FOR VCB) PHASE
TD5 & TD6 FOR W(C) PHASE.
 5. ENCLOSURE:IP55



| ITEM | A |
|------|----------|
| 01 | NPT-1.5" |
| 02 | |
| 03 | |
| 04 | |
| 05 | |
| 06 | |
| 07 | |
| 08 | |
| 09 | |
| 10 | |
| 11 | |
| 12 | |

SCHEMATIC DRAWING

TERMINAL BOX

| | | |
|-------|---------|-------------|
| DWN. | S. WANG | MAR-26-1999 |
| CHKD. | J.PENG | MAR-29-1999 |
| APPD. | A.WU | MAR-29-1999 |

DATE

TECO Westinghouse

DWG NO. 3A040D418

REV:09

TECO Westinghouse

| | | |
|--------------------------------|--------------------------------|----------------------------|
| ISSUED June 30, 2005 | PERFORMANCE DATA | ENCLOSURE TEFC |
| TYPE AEJH | 3-PHASE INDUCTION MOTOR | CATALOG# JH12506 |

NAMEPLATE INFORMATION

| OUTPUT | | POLE | FRAME SIZE | VOLTAGE | HZ | RATED AMBIENT | INS. CLASS | NEMA DESIGN | TIME RATING | SERVICE FACTOR |
|-------------|------------|----------|-------------|------------------|-----------|---------------|------------|-------------|--------------|----------------|
| HP | KW | | | | | | | | | |
| 1250 | 933 | 6 | 500C | 2300/4160 | 60 | 40°C | F | B | CONT. | 1.15 |

TYPICAL PERFORMANCE

| FULL LOAD RPM | EFFICIENCY | | | | POWER FACTOR | | | MAXIMUM POWER FACTOR CORRECTION |
|---------------|-------------|-------------|-------------|-------------|--------------|-------------|------------|---------------------------------|
| | FULL LOAD | | 3/4 LOAD % | 1/2 LOAD % | F. L. % | 3/4 LOAD % | 1/2 LOAD % | |
| | MIN. % | NOM. % | | | | | | |
| 1188 | 95.4 | 96.2 | 95.8 | 94.5 | 89.5 | 86.5 | 80 | 1960 KVAR |

CURRENTS

| NO LOAD | | FULL LOAD | | LOCKED ROTOR | | NEMA KVA CODE LETTER |
|--------------|--------------|---------------|---------------|----------------|----------------|----------------------|
| AT | AT | AT | AT | AT | AT | |
| 2300 VOLT | 4160 VOLT | 2300 VOLT | 4160 VOLT | 2300 VOLT | 4160 VOLT | |
| 75.00 | 41.47 | 272.00 | 150.40 | 1970.00 | 1089.00 | G |

TORQUE

INERTIA

ACCEL TIME

| FULL LOAD lb-ft | LOCKED ROTOR %FLT | PULL UP %FLT | BREAK DOWN %FLT | ROTOR WR ² lb-ft ² | NEMA LOAD WK ² lb-ft ² | MAX ALLOWABLE WK ² lb-ft ² | NEMA LOAD WK ² Sec | MAX ALLOWABLE WK ² Sec |
|-----------------|-------------------|--------------|-----------------|--|--|--|-------------------------------|-----------------------------------|
| 5505.00 | 80 | 75 | 220 | 1962 | 11380 | 17070 | 6.10 | 8.70 |

SAFE STALL TIME IN SECONDS

ALLOWABLE STARTS PER HOUR

SOUND PRESSURE LEVEL @ 3 FT dB(A)

| COLD | HOT | COLD | HOT |
|-----------|-----------|----------|----------|
| 30 | 25 | 2 | 1 |

APPROVED:

M. PRATER

DRAWING NO.

3A057JH12506

REV. **1**

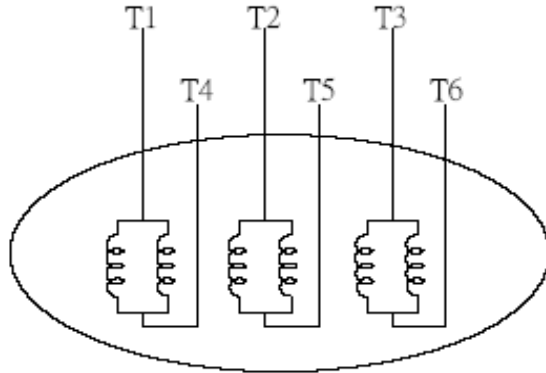
DATE:

June 27, 2005

CONNECTION DIAGRAM

CATALOG NO.:

JH12506



SCHEMATIC DIAGRAM - 6 LEADS

| VOLTAGE | CONNECTION | ROTATION (VIEWED FROM DRIVE END) |
|-------------|--|---|
| 2300 | <p>Winding connection diagram for 2300V. It shows a star (Y) connection. The supply lines are labeled L1, L2, and L3. The motor leads are labeled T1, T2, T3, T4, T5, and T6. The connections are: L1 to T1, L2 to T2, L3 to T3; T4, T5, and T6 are connected to a common star point.</p> | <p>A curved arrow indicating clockwise rotation when viewed from the drive end.</p> |
| 4160 | <p>Winding connection diagram for 4160V. It shows a delta (Δ) connection. The supply lines are labeled L1, L2, and L3. The motor leads are labeled T1, T2, T3, T4, T5, and T6. The connections are: L1 to T1, L2 to T2, L3 to T3; T4, T5, and T6 are connected in a delta configuration.</p> | <p>A curved arrow indicating clockwise rotation when viewed from the drive end.</p> |



DWG. NO.

3A061H475