

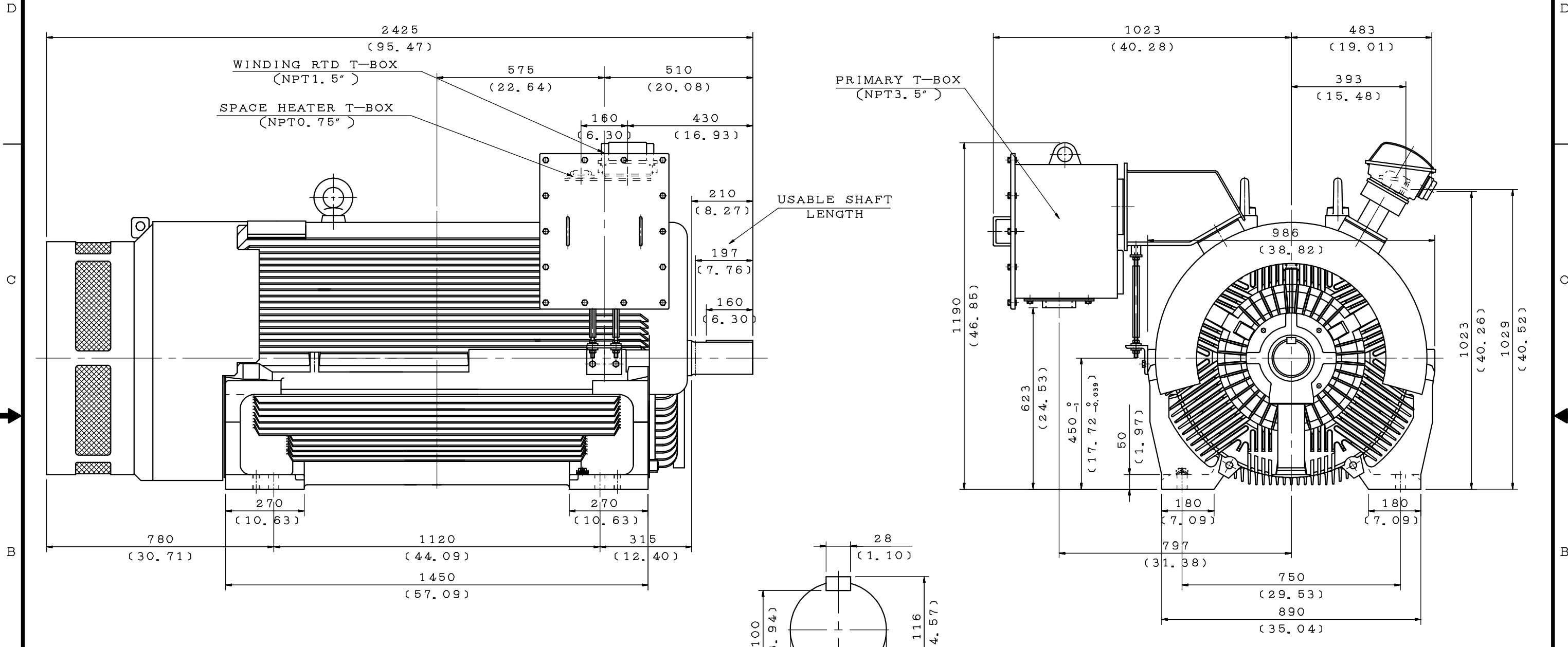
SPECIFICATION TABLE OF 3-PHASE SQUIRREL CAGE INDUCTION MOTOR	CUSTOMER		USER	
	INQ. NO.		EQUIPMENT	
	JOB NO.	AD147033T1	MACHINE	
	TOTAL SETS	2	ITEM NO.	

Item	Terms	Description				
1	Model	AEJH-TK				
2	Code or Standard	Dimensions	Frame Assignment	Performance	Test	
		IEC	TWMC	IEC	IEC	
3	Rating	1000 HP 4 Pole 2300/4160 Volt 3 Phase 60 Hz				
4	Service Duty	Continuous Rating (S1) Service Factor 1.0				
5	Starting Method	D.O.L(Direct On Line)				
6	Rotation	Facing The Drive End : CCW(Counter ClockWise), Available for Bi-Direction				
7	Drive Method	Direct Coupling				
8	Environment	Amb. Temp. : -20 ~ 40 °C				
		Humidity : Less Than 95 %RH				
		Altitude : Up to 1000 M				
9	Enclosure & Protection	IP54 : Totally Enclosed		Indoor		
10	Cooling	IC411 : Self External Fan, Surface Cooling				
11	Mounting	IM1001 : HS, Foot				
12	Dimensions	Dr# 3W041L490(REV.00)		Frame No : 450C		
13	Frame & Bracket	Frame : Cast Iron		Bracket : Cast Iron		
14	Fan & Fan Cover	Fan :Aluminum		Fan Cover :Steel Plate		
15	Terminal Box	Steel Plate				
16	Lead Terminals	(TLK70-10)X6				
17	Lubricant	Mobil Polyrex EM Grease				
18	Painting	Color : MUNSELL 7.5B 3.5/0.5				
19	Stator Winding	Insulation Class: F				
20	Rotor Conductor	Cu-Alloy		WK^2 : 752.7 Lb-ft^2		
21	Starting Performance	LRC ≤ 1566/863 Amp		LRT/FLT 90 %		
22	Operating Performance	Hz/V	60/2300	60/4160	Break Down Torque	
		%Load	100		220 %FLT	
		Amp.	216	119		
		Eff.%	96.3	96.3	Temp. Rise Limit. (Resistance)	
		P.F.%	90.0	90.0	Stator 80 °C	
		R.P.M.	1785	1785	AT S.F 1.0	
23	Approximate Weight	Motor : 4550 kg				
24	Note	1.Rated Torque : Tf= 2942.96 lb-ft 2.With Space Heater : 1φ 120V 200W 3.With Winding RTD : PT 100Ω/0°C 6pcs 4.Non-Sparking Fan Accessories : Refer to motor outline drawing				

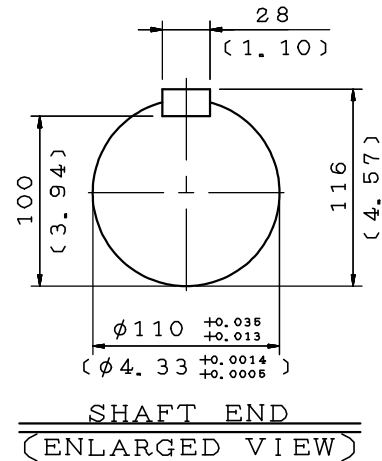
APPD.	Rain	OCT. 09 2016		DWG NO.
CHKD.	Sandy	SEP. 22 2016		3W057H186-39920
DWN.	LEIYU YU	SEP. 22 2016		REV.00 1/1

TYPE	OUTPUT		POLE	TIME RATING	VOLTAGE V	Hz	SYN. SPEED R. P. M
	HP.	kW.					
AEJH-TK	1000		4	CONT	2300/4160	60	1800

TOTALLY ENCLOSED FAN-COOLED TYPE, SQUIRREL-CAGE ROTOR



- NOTE:
- DIMENSIONS IN mm (inch)
 - FRAME NO. 450CB
 - F CLASS INSULATION
 - FOR DIRECT FLEXIBLE COUPLING
 - ENCLOSURE: IP54
 - BEARING SIZE: DRIVE-END 6324
OPP. DRIVE-END 6322
 - WITH SPACE HEATER: 1φ 120V 200W
 - WITH WINDING RTD: PT 100Ω/0°C 6PCS
 - NON-SPARKING FAN
 - MOTOR APPROX. WEIGHT: 4550kg



041, EG450CB, AEJHTK041000A2UW6, AD147033T1

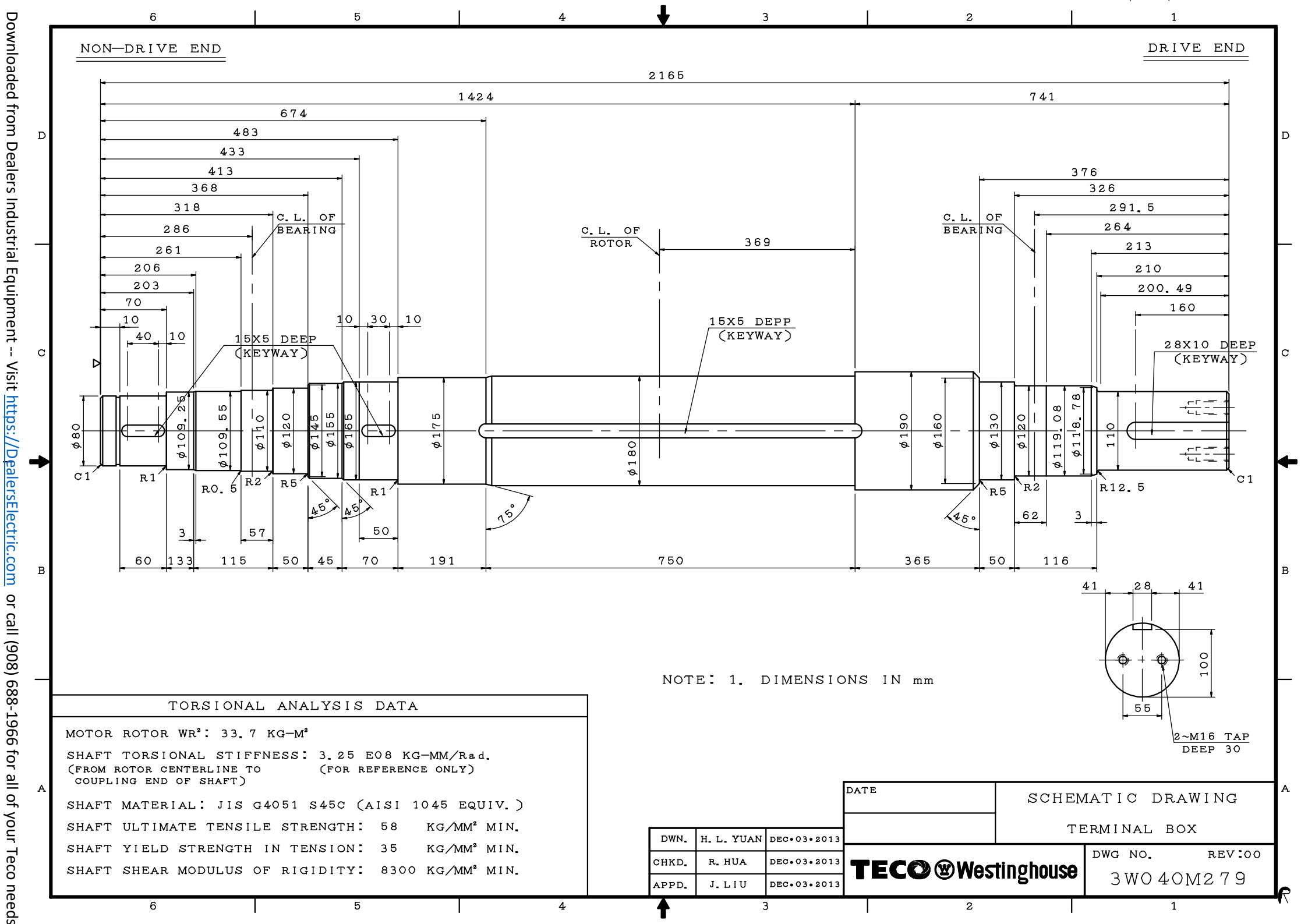
DATE	OUTLINE DIMENSIONS
	3-PHASE INDUCTION MOTOR

DWN.	B. WANG	OCT.08.2016
CHKD.	R. XU	OCT.08.2016
APPD.	Y. XU	OCT.08.2016

TECO Westinghouse

DWG NO.	REV:00
3W041L490	1

Downloaded from Dealers Industrial Equipment -- Visit <https://DealerElectric.com> or call (908) 688-1966 for all of your Teco needs!



NOTE: 1. DIMENSIONS IN mm

TORSIONAL ANALYSIS DATA

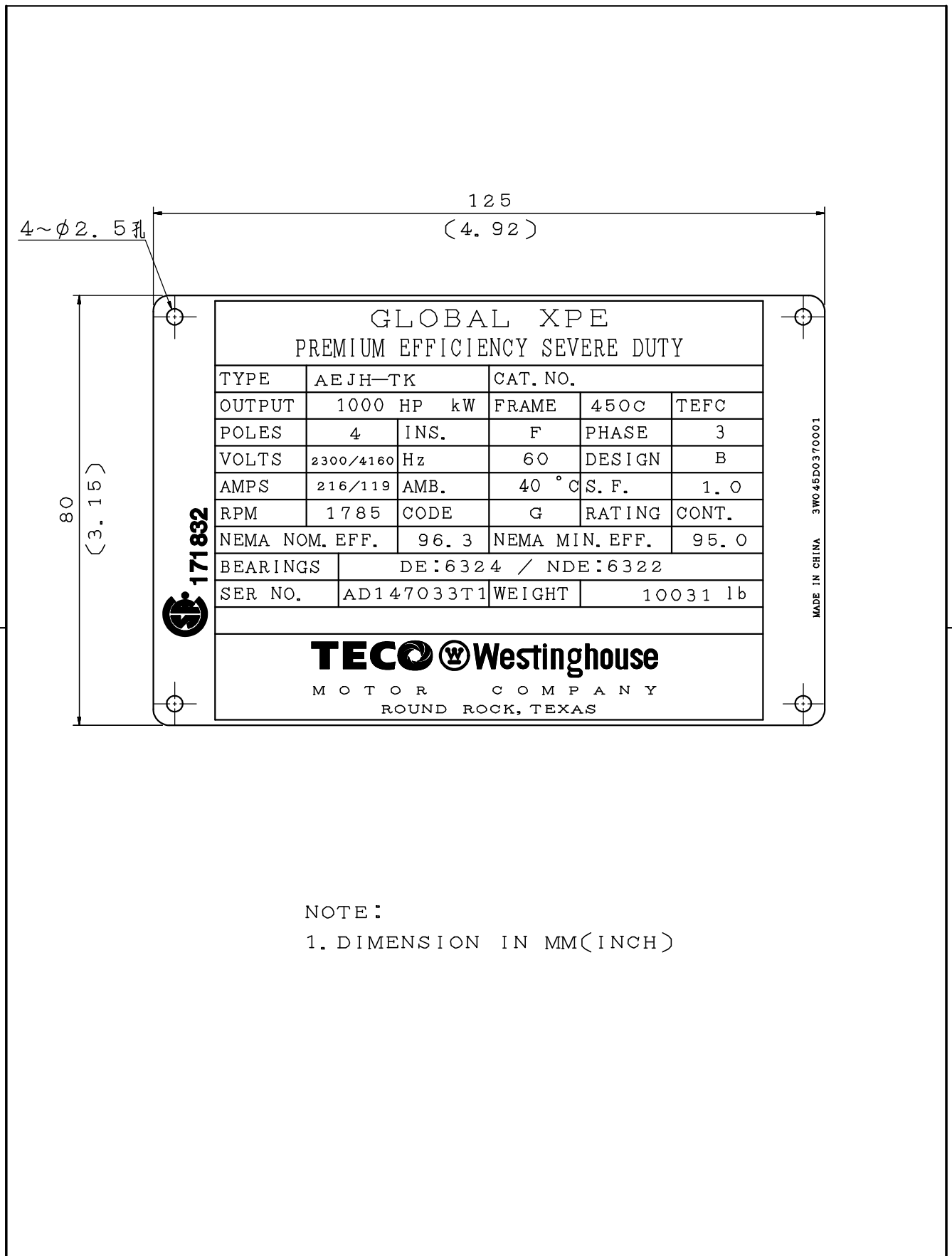
MOTOR ROTOR WR^2 : 33.7 KG-M²
 SHAFT TORSIONAL STIFFNESS: 3.25 E08 KG-MM/Rad.
 (FROM ROTOR CENTERLINE TO COUPLING END OF SHAFT) (FOR REFERENCE ONLY)
 SHAFT MATERIAL: JIS G4051 S45C (AISI 1045 EQUIV.)
 SHAFT ULTIMATE TENSILE STRENGTH: 58 KG/MM² MIN.
 SHAFT YIELD STRENGTH IN TENSION: 35 KG/MM² MIN.
 SHAFT SHEAR MODULUS OF RIGIDITY: 8300 KG/MM² MIN.

DATE		SCHEMATIC DRAWING	
		TERMINAL BOX	
DWN.	H. L. YUAN	DEC.03.2013	DWG NO. REV:00
CHKD.	R. HUA	DEC.03.2013	3WO 40M2 79
APPD.	J. LIU	DEC.03.2013	



Downloaded from Dealers Industrial Equipment -- Visit <https://DealersElectric.com> or call (908) 688-1966 for all of your Teco needs

DATE	SCHEMATIC DRAWING NAME PLATE	MODEL



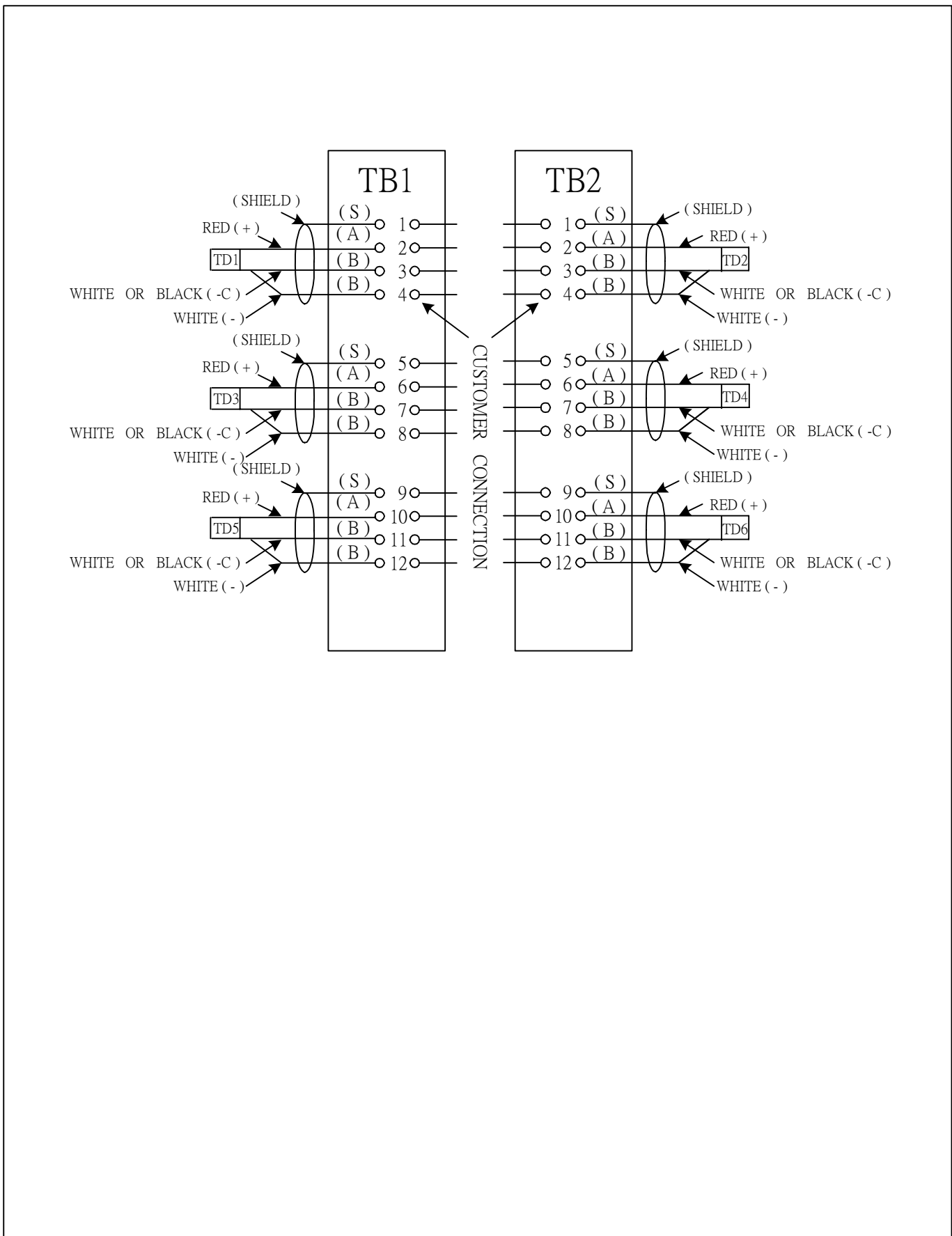
NOTE:

1. DIMENSION IN MM(INCH)

DWN.	B. WANG	OCT*08*2016	TECO Westinghouse	DWG NO.	REV:00
CHKD.	R. XU	OCT*08*2016		3W040X683	
APPD.	Y. XU	OCT*08*2016			

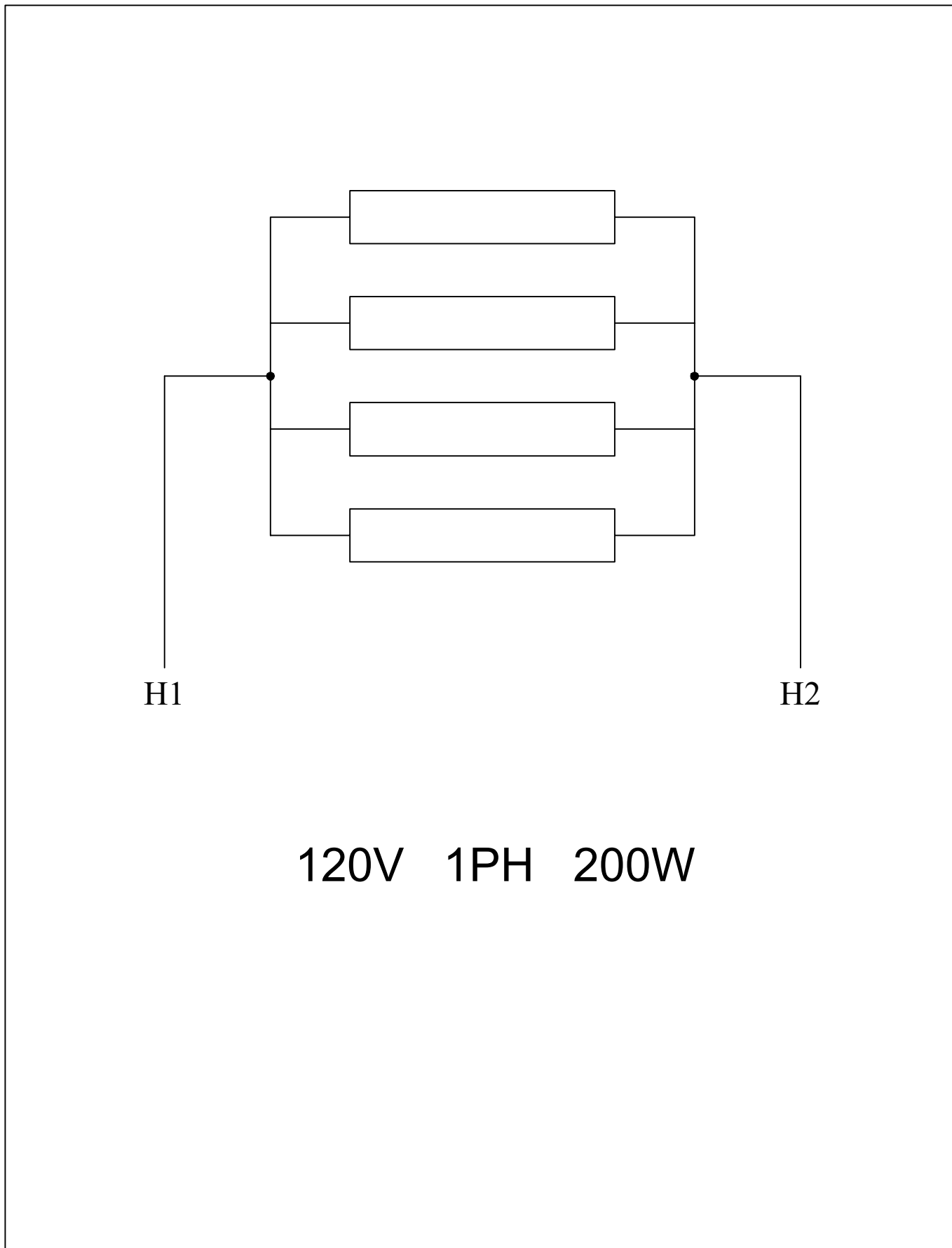
R

DATE	<h1>WIRING DIAGRAM</h1>	MODEL



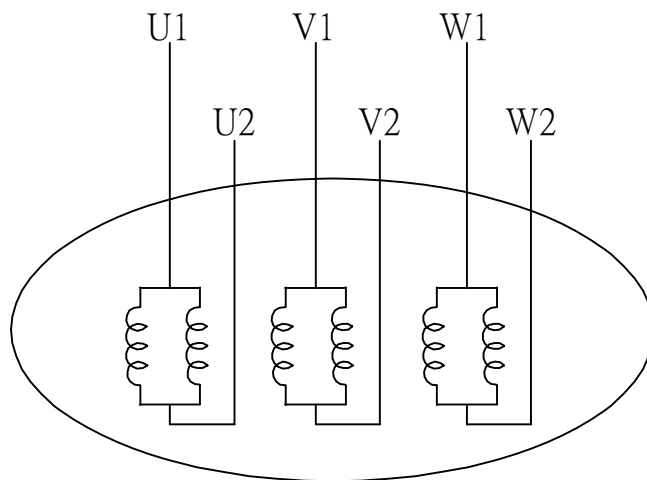
DWN.	S.HUANG	MAR · 03 · 2003	TECO Westinghouse	DWG NO.	REV: 00
CHKD.	T.HSIAO	MAR · 03 · 2003		<h2>3A061H502W</h2>	
APPD.	T.HSIAO	MAR · 03 · 2003			

DATE	SCHEMATIC SPACE HEATER	MODEL



DWN.	ANDREA	JUL · 03 · 2012	TECO  Westinghouse	DWG NO.	REV: 00
CHKD.	HB.LIN	JUL · 03 · 2012		3A061H649W	
APPD.	H.CHIANG	JUL · 03 · 2012			

DATE	SCHEMATIC 6 LEADS	MODEL



SCHEMATIC DIAGRAM - 6 LEADS

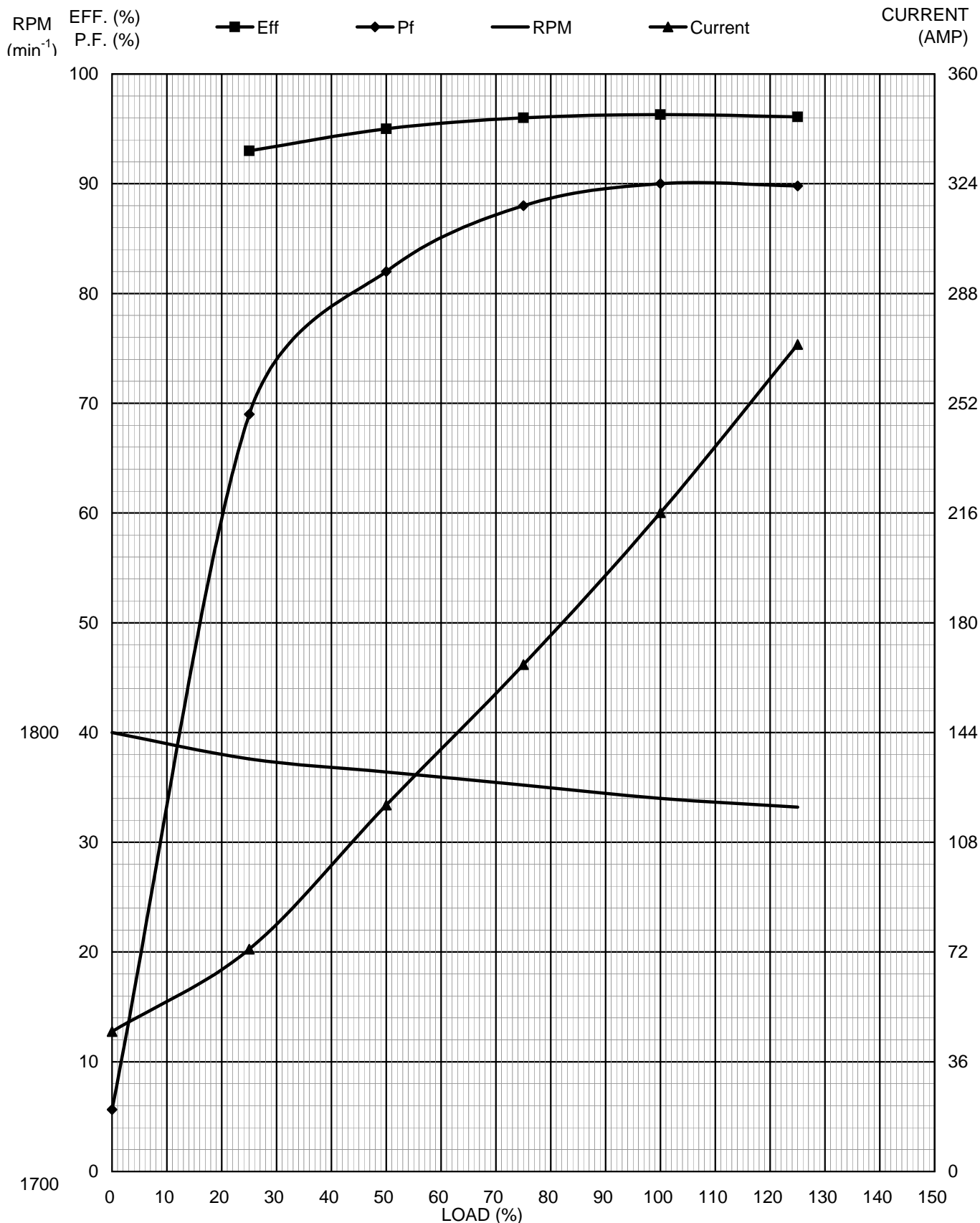
VOLTAGE	CONNECTION	ROTATION (VIEWED FROM DRIVE END)
LOW	<p>Wiring diagram for low voltage connection. Three horizontal lines represent the power supply, labeled R, S, and T from top to bottom. The motor windings are connected in a star configuration. The top lead of the first winding is connected to R, the top lead of the second to S, and the top lead of the third to T. The bottom leads are labeled U1, U2, V1, V2, W1, and W2.</p>	<p>A curved arrow indicating clockwise rotation when viewed from the drive end.</p>
HIGH	<p>Wiring diagram for high voltage connection. Three horizontal lines represent the power supply, labeled R, S, and T from top to bottom. The motor windings are connected in a delta configuration. The top lead of the first winding is connected to R, the top lead of the second to S, and the top lead of the third to T. The bottom leads are labeled U1, U2, V1, V2, W1, and W2.</p>	<p>A curved arrow indicating clockwise rotation when viewed from the drive end.</p>

DWN.	S.HUANG	MAR • 03 • 2003		DWG NO.	REV: 00
CHKD.	T.HSIAO	MAR • 03 • 2003		3A061H427W	
APPD.	T.HSIAO	MAR • 03 • 2003			

THREE PHASE INDUCTION MOTOR LOAD CHARACTERISTIC CURVE

NO. : AD147033T1
 POLE : 4
 HZ : 60

TYPE : AEJH
 HP : 1000
 VOLT. : 2300



APPD.	LEON	20160922
CHKD.	-	-
DWN.	YL	20160922



DWG NC Rev.00
 AD147033T1

Rev.00

T-N & I-N CURVE

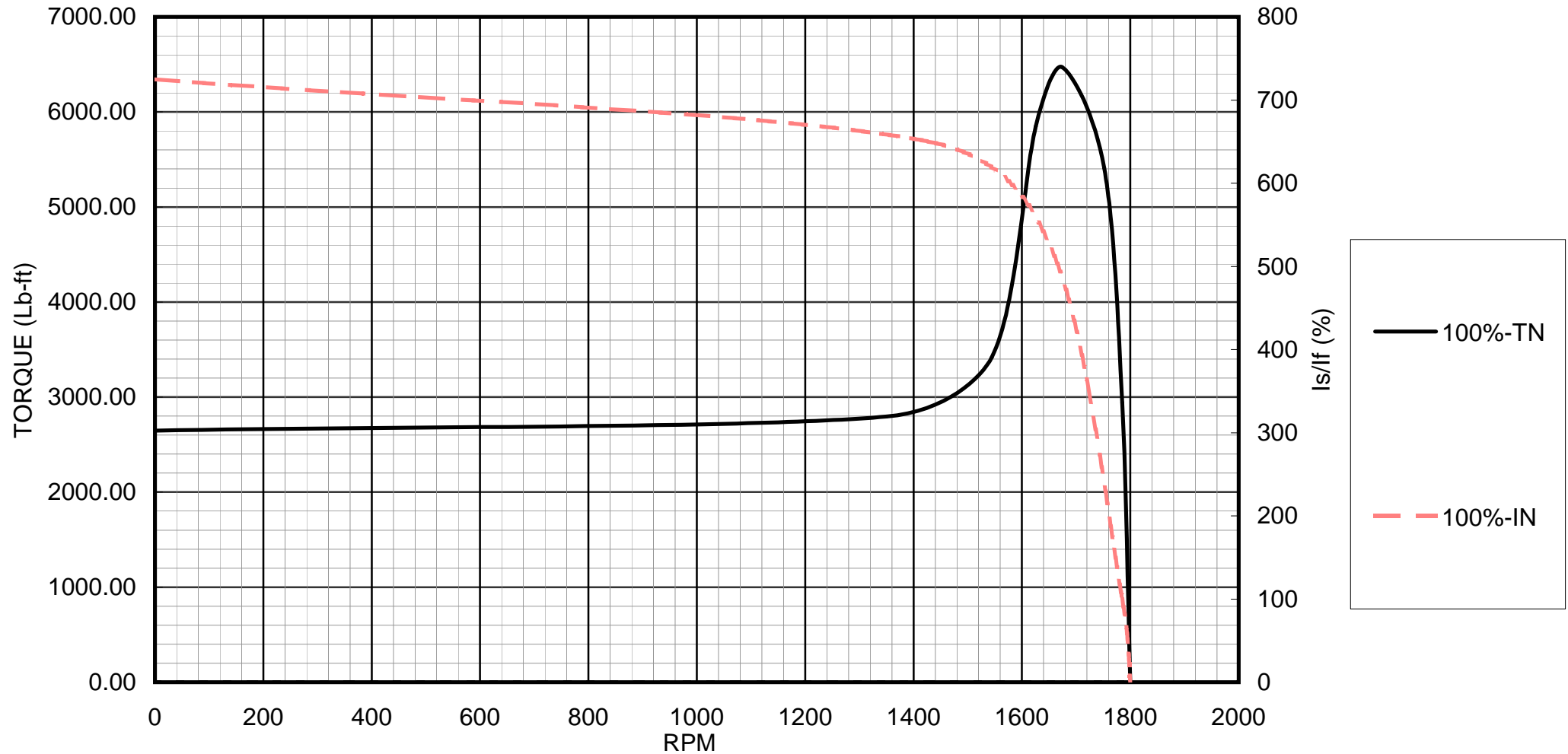
NO.: AD147033T1
 TYPE: AEJH
 HZ: 60

POLE: 4
 VOLT.: 2300

HP : 1000

Ts : 2647.3 Lb-ft
 Tmin. : 2794.4 Lb-ft
 Tmax. : 6471.2 Lb-ft
 Tf : 2941.5 Lb-ft

Full load current : 216 A
 Lock rotor current / Full load current : 725 %



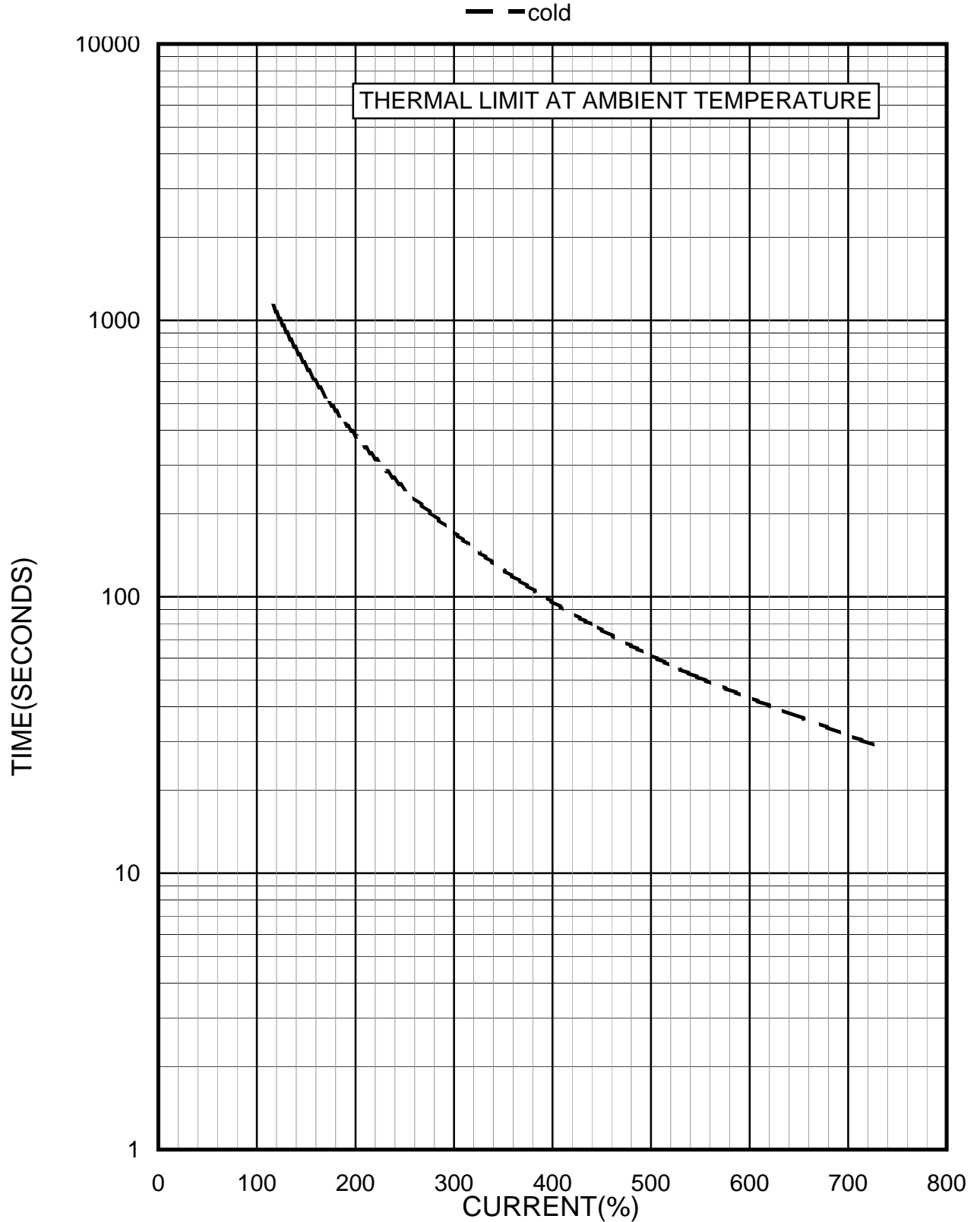
APPD.	LEON	20160922
CHKD.	-	-
DWN.	YL	20160922

TECO  **Westinghouse**

DWG NO. Rev.00
 AD147033T1

THERMAL LIMIT CURVES

NO. : AD147033T1 TYPE : AEJH
 POLE : 4 HP : 1000
 HZ : 60 VOLT. : 2300
 Load WK2 (LB-FT2) : 0
 Motor WK2 (LB-FT2) : 0
 Full load current : 216 A



APPD.	LEON	20160922
CHKD.	-	-
DWN.	YL	20160922

TECO  **Westinghouse**

DWG NC Rev.00
AD147033T1

TECO Westinghouse

ISSUED 2016.09.22	PERFORMANCE DATA	ENCLOSURE TEFC
TYPE AEJH	3-PHASE INDUCTION MOTOR	CATALOG# AD147033T1

NAMEPLATE INFORMATION

OUTPUT		POLE	FRAME SIZE	VOLTAGE	HZ	RATED AMBIENT	INS. CLASS	NEMA DESIGN	TIME RATING	SERVICE FACTOR
HP	KW									
1000	746	4	450CB	2300	60	40°C	F	B	CONT.	S.F.1.0

TYPICAL PERFORMANCE

FULL LOAD RPM	EFFICIENCY				POWER FACTOR			MAXIMUM POWER FACTOR CORRECTION
	FULL LOAD		3/4 LOAD %	1/2 LOAD %	F. L. %	3/4 LOAD %	1/2 LOAD %	
	MIN. %	NOM. %						
1785	95.5	96.3	96	95	90	88	82	121 KVAR

CURRENTS

NO LOAD	FULL LOAD	LOCKED ROTOR	NEMA KVA CODE LETTER
45.9	216.0	1566	

TORQUE

INERTIA

ACCEL TIME

FULL LOAD lb-ft	LOCKED ROTOR %FLT	PULL UP %FLT	BREAK DOWN %FLT	ROTOR WR ² lb-ft ²	NEMA LOAD WK ² lb-ft ²	MAX ALLOWABLE WK ² lb-ft ²	NEMA LOAD WK ² Sec	MAX ALLOWABLE WK ² Sec
2942	90	95	220	753	3393	6786	--	--

SAFE STALL TIME IN SECONDS

ALLOWABLE STARTS PER HOUR

SOUND PRESSURE LEVEL @ 3 FT dB(A)

COLD	HOT	COLD	HOT	--
29.2	22.5	2	1	

APPROVED:		DRAWING NO.	AD147033T1-DS	REV. 00
-----------	--	-------------	----------------------	---------

