

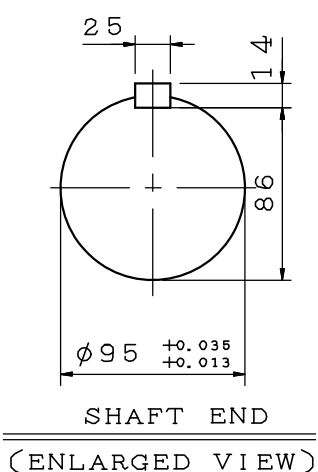
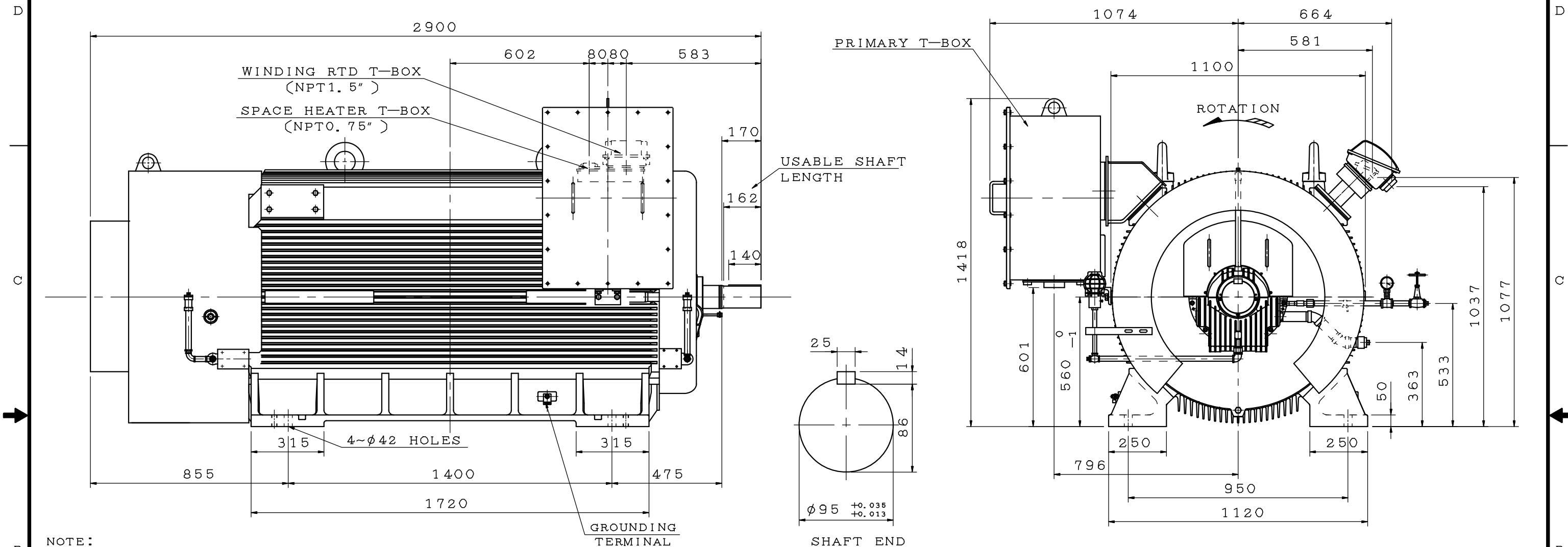
SPECIFICATION TABLE OF 3-PHASE SQUIRREL CAGE INDUCTION MOTOR	CUSTOMER	TWMC	USER	RR-S
	INQ. NO.		EQUIPMENT	
	JOB NO.	FD111032T1	MACHINE	
	TOTAL SETS	2	ITEM NO.	

Item	Terms	Description				
1	Model	AFJH-S2				
2	Code or Standard	Dimensions	Frame Assignment	Performance	Test	
		IEC	TWMC	NEMA	NEMA	
3	Rating	1500 HP 2 Pole 2300/4160 Volt 3 Phase 60 Hz				
4	Service Duty	Continuous Rating , S.F. 1.15				
5	Starting Method	D.O.L.				
6	Rotation	Facing The Drive End : CCW				
7	Drive Method	Direct Coupling				
8	Environment	Amb. Temp. : -20 ~ 40 °C				
		Humidity : Less Than 95 %RH				
		Altitude : Up to 2200 M				
9	Enclosure & Protection	IP54 : Totally Enclosed		Indoor		
10	Cooling	IC411 : Self External Fan, Surface Cooling				
11	Mounting	IM1001 : HS, Foot				
12	Dimensions	Dr# 4A040C559(REV.00)		Frame No : 560CA		
13	Frame & Bracket	Frame : Cast Iron		Bracket : Steel Plate		
14	Fan & Fan Cover	Fan :Reinforced Plastic		Fan Cover :Steel Plate		
15	Terminal Box	Steel Plate				
16	Lead Terminals	(TLK70-10)X6				
17	Lubrication	Oil Viscosity : ISO VG32 (Sleeve Bearings)				
18	Painting	Color : MUNSELL 7.5B 3.5/0.5				
19	Stator Winding	Ins. Class F				
20	Rotor Conductor	Cu-Alloy		WR ² : 782 Lb-ft ²		
21	Starting Performance	LRC ≤ 2728 Amp		LRT/FLT 90 %		
22	Operating Performance	Hz/V	60/2300			Break Down Torque 250 %FLT
		%Load	100	75	50	
		Amp.	322	251	185	
		Eff.%	96.8	96.4	95.5	Temp. Rise Limit. (Res.) Stator 80 °C at S.F.1.0
		P.F.%	90.0	87.1	79.5	
		R.P.M.	3590	3592	3594	
23	Approximate Weight	Motor : 7800 Kgs				
24	Note	1.With Space Heater : 1φ 120V 500W 2.With Winding RTD : PT 100Ω/0°C 6pcs				

APPD.	Ming	NOV. 30 2010		DWG NO.
CHKD.	Sandy	NOV. 30 2010		3A057H186-51071
DWN.	CF.WENG	OCT. 30 2010		REV.00 1/1

TYPE	OUTPUT		POLE	TIME RATING	VOLTAGE V	HZ	SYN. SPEED R. P. M
	HP.	KW.					
AFJH-S2	1500		2	CONT.	2300/4160	60	3600

TOTALLY ENCLOSED FAN-COOLED TYPE. SQUIRREL-CAGE ROTOR



- NOTE:
- DIMENSIONS IN MM
 - FRAME NO. 560CB
 - F CLASS INSULATION. S. F. 1.15
 - FOR DIRECT FLEXIBLE COUPLING
 - ENCLOSURE: IPW54
 - BEARING SIZE: DRIVE END 9S-100(UNINSULATED)
OPP. DRIVE-END 9S-100(INSULATED)
 - THE NON-DRIVE END BEARING LINER(SHELL) IS INSULATED FROM THE HOUSING. METAL CONNECTIONS MADE TO THE BEARING SHELL MUST BE INSULATED TO PREVENT AN INSULATION SHORT CIRCUIT. METAL CONNECTIONS MADE TO THE HOUSING DO NOT NEED TO BE INSULATED.
 - BEARING LUBRICATION: SELF-LUBRICATION WITH PROVISION
 - OIL VISCOSITY: ISO VG32(140~160SSU AT 100°F)
 - OIL QUANTITY: 2.4L FOR EACH BEARING.
 - BEARING LUBRICATION: FORCE OIL LUBRICATION
 - OIL VISCOSITY: ISO VG32(140~160SSU AT 100°F).
 - OIL FLOW RATE: 1.9L/MIN (TOTAL).
 - OIL INLET PRESSURE: 1.0 KG/CM².
 - OIL INLET TEMPERATURE: 48°C, MAX.
 - OIL INLET ORIFICE: 2.0MM FOR EACH BEARING.
 - SLEEVE TYPE BEARING, AXIAL THRUST LOAD NOT ALLOWED
 - THE MOTOR ENDPLAY IS ±7MM. A LIMITED END FLOAT TYPE COUPLING IS REQUIRED TO LIMIT ENDPLAY TO ±2.4MM.

- WITH SPACE HEATER: 1φ 120V 500W.
- WITH WINDING RTD: PT 100Ω/0°C 6PCS.
- PROVISION FOR BEARING RTD
- APPROX. WEIGHT: 7800KGS

DATE	OUTLINE DIMENSIONS	
	3-PHASE INDUCTION MOTOR	

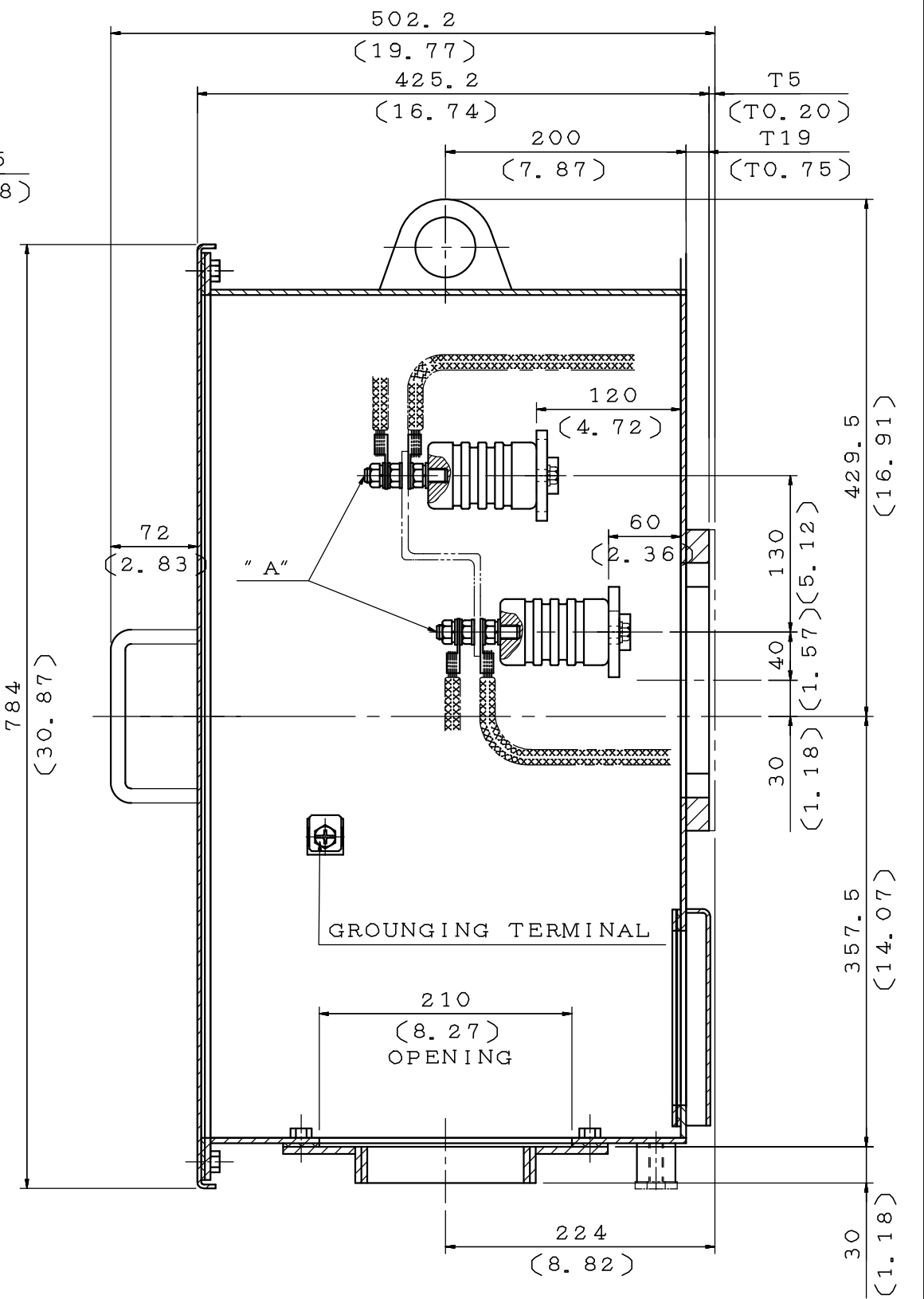
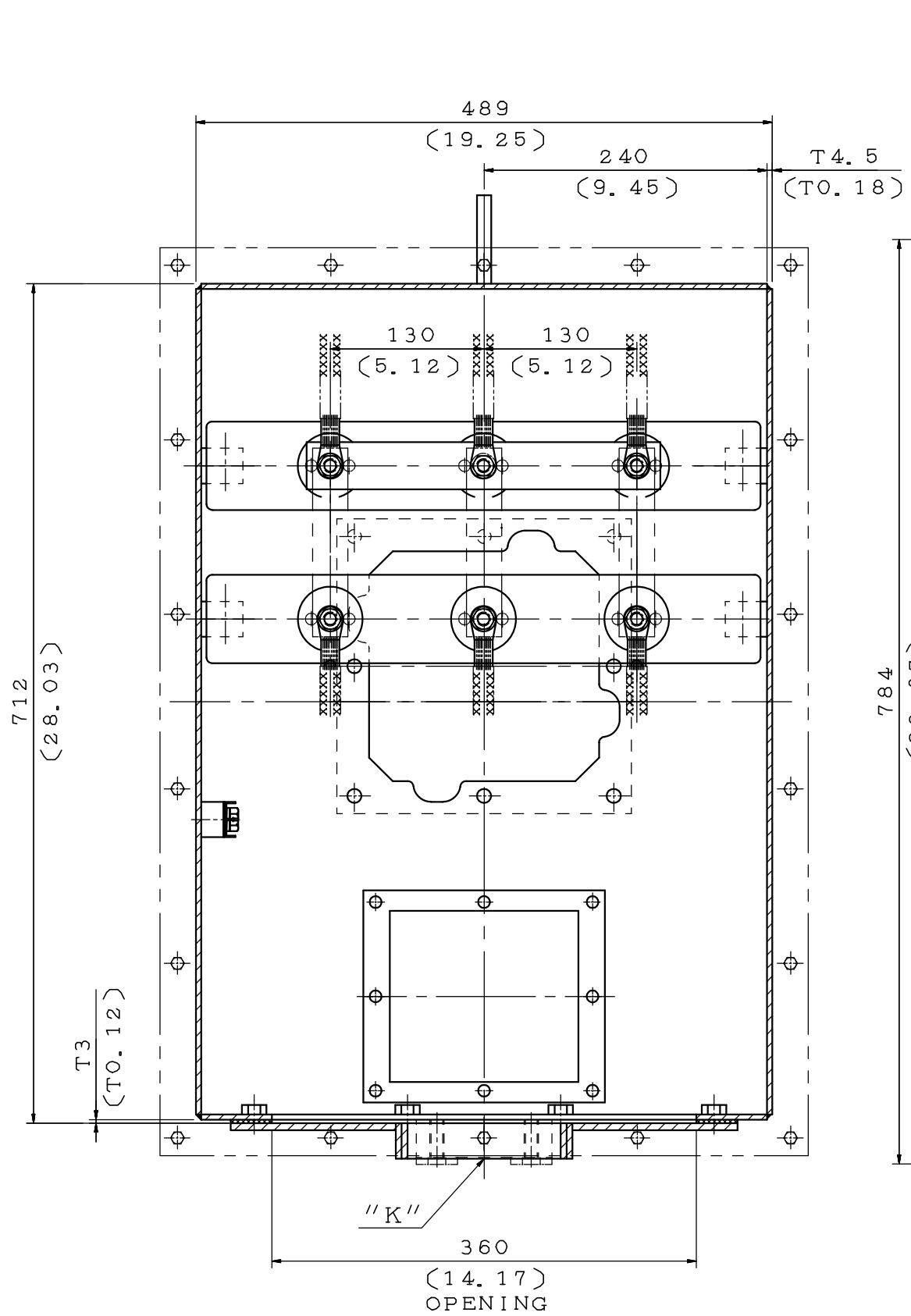
DWN.	C. WANG	NOV.25.2010
CHKD.	B. LIN	NOV.29.2010
APPD.	B. YANG	NOV.29.2010

TECO Westinghouse

DWG NO. 4A040C559 REV:00

Downloaded from Dealers Industrial Equipment -- Visit <https://Dealerselectric.com> or call (908) 688-1966 for all of your Teco needs!

ITEM	A	K	M
01	M8	NPT2.5"	30 (1.18)
02	M10	NPT2.5"	30 (1.18)
03	M16	NPT2.5"	30 (1.18)
04	M8	NPT3"	30 (1.18)
05	M10	NPT3"	30 (1.18)
06	M16	NPT3"	30 (1.18)
07	M8	NPT3.5"	30 (1.18)
08	M10	NPT3.5"	30 (1.18)
09	M16	NPT3.5"	30 (1.18)
10	M8	NPT4"	30 (1.18)
11	M10	NPT4"	30 (1.18)
12	M16	NPT4"	30 (1.18)



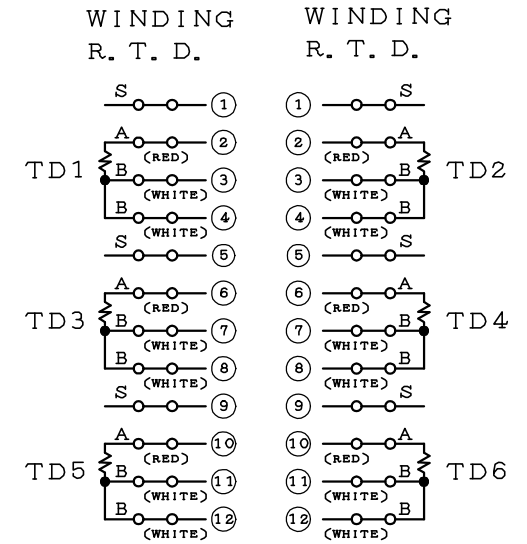
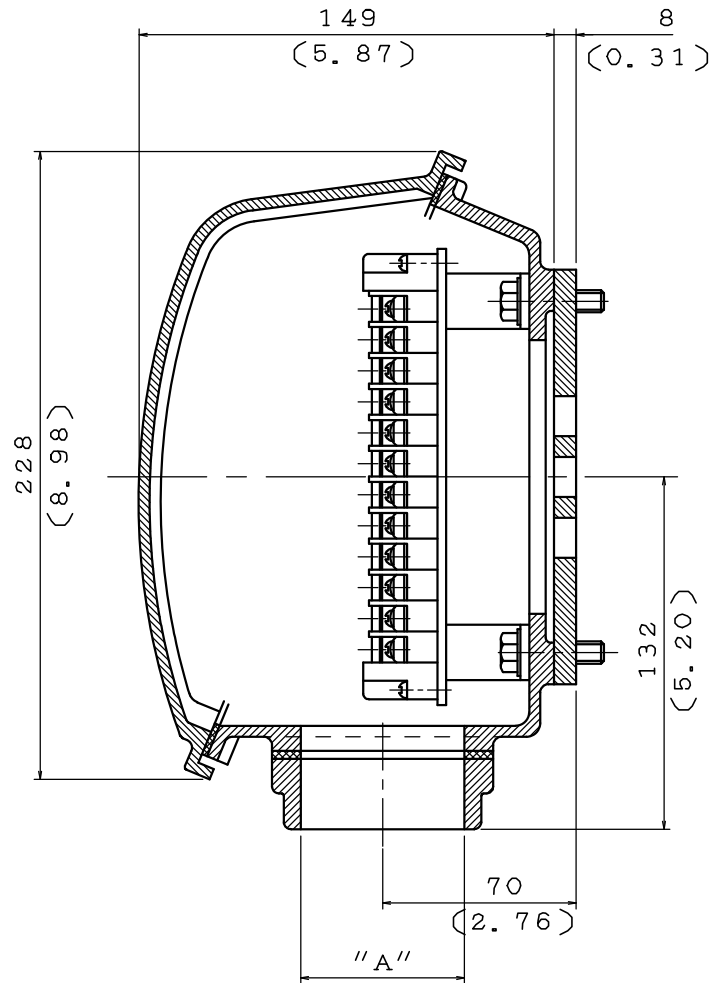
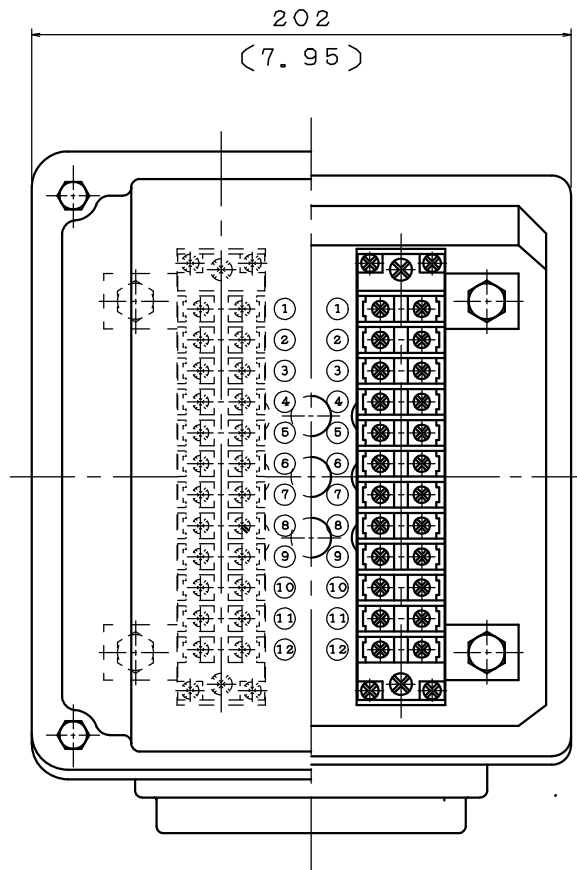
NOTE:
 1. DIMENSIONS IN MM(INCH)
 2. PRIMARY T-BOX
 3. ORDER NO. FD111032T1

DATE	NOV.30.2010	SCHEMATIC DRAWING	
		TERMINAL BOX	
DWG NO.	4A040C564	REV:00	

DWN.	C. WANG	NOV.26.2010
CHKD.	B. LIN	NOV.29.2010
APPD.	B. YANG	NOV.29.2010



6 5 4 3 2 1



ITEM	A
01	PF-1"
02	PF-1.5"
03	PF-2"
04	NPT-1"
05	NPT-1.5"
06	NPT-2"
07	M25×1.5
08	M32×1.5
09	M50×1.5
10	NPT-0.75"
11	M20×1.5
12	

NOTE :

1. DIMENSION IN MM(INCHES).
2. TW-36
3. WINDING R. T. D. T-BOX.
4. TD1 & TD2 FOR U(T1) PHASE
TD3 & TD4 FOR V(T2) PHASE
TD5 & TD6 FOR W(T3) PHASE.
5. ORDER NO. FD111032T1.
6. ENCLOSURE: IP65(NEMA 4X)
7. MATERIAL: CAST IRON

DATE NOV.30.2010

SCHEMATIC DRAWING

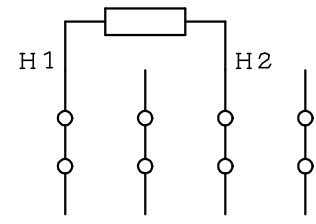
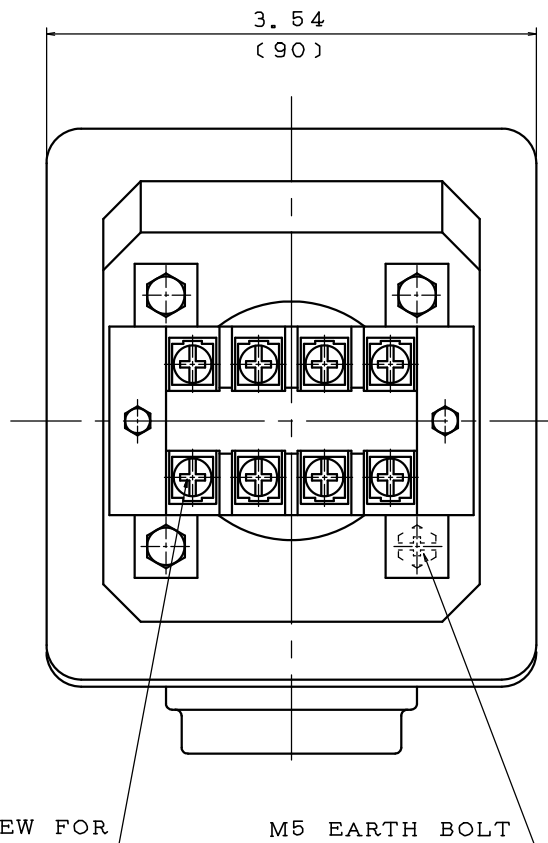
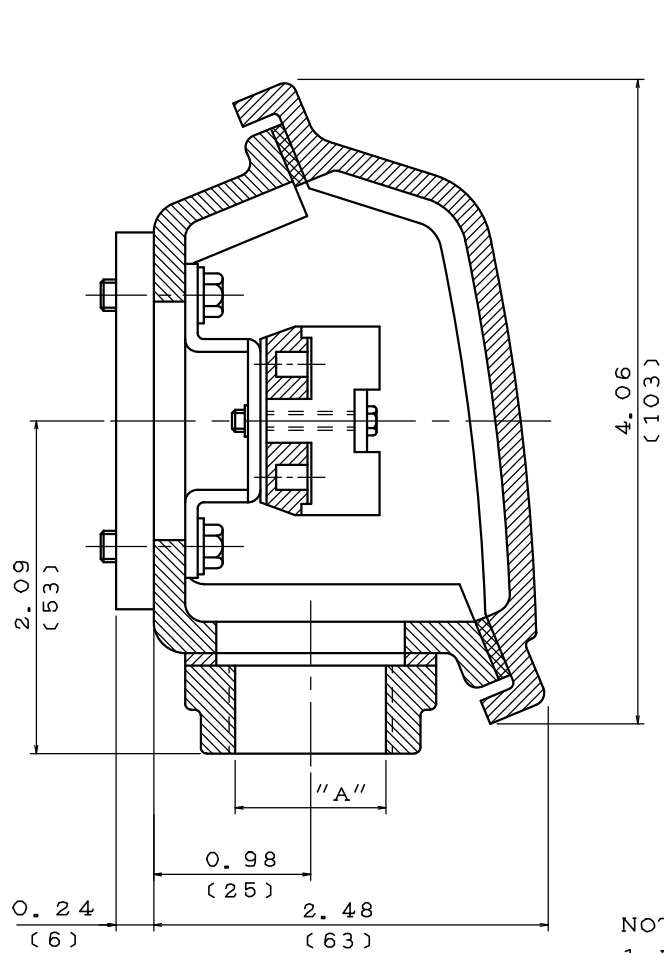
TERMINAL BOX

DWN.	S. WANG	MAR•26•1999
CHKD.	J. PENG	MAR•29•1999
APPD.	A. WU	MAR•29•1999

TECO Westinghouse

DWG NO. REV:12

3A040D418

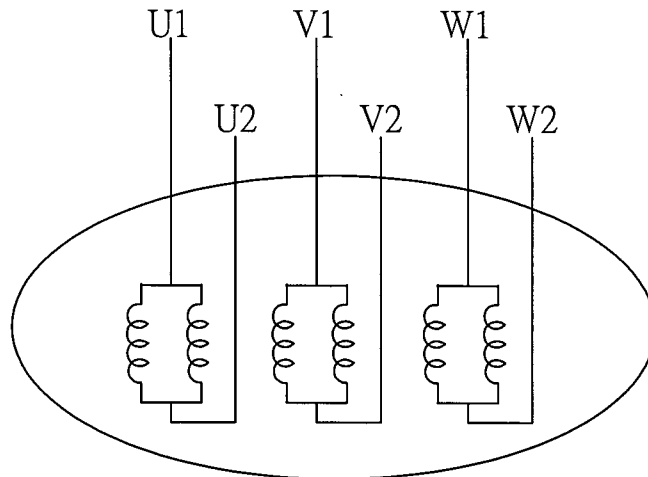


項	A
01	M20×1.5
02	PF-0.5"
03	PF-0.75"
04	PT-0.5"
05	PT-0.75"
06	NPT-0.5"
07	NPT-0.75"
08	M25×1.5
09	PF1"
10	NPT1"
11	PG16

- NOTE:
1. DIMENSIONS IN INCHES (MM).
 2. TW-06
 3. SPACE HEATER T-BOX.
 4. ORDER NO. FD111032T1.
 5. ENCLOSURE: IP55 (NEMA 4X)
 6. MATERIAL: CAST IRON

DATE	NOV.30.2010	SCHEMATIC DRAWING	
		TERMINAL BOX	
DWN.	H. HUANG	JUL.19.2003	DWG NO. REV:04 3A040U272
CHKD.	H. HUANG	JUL.19.2003	
APPD.	C. WANG	JUL.19.2003	
TECO® Westinghouse			

DATE NOV.30.2010	SCHEMATIC 6 LEADS	MODEL



SCHEMATIC DIAGRAM - 6 LEADS

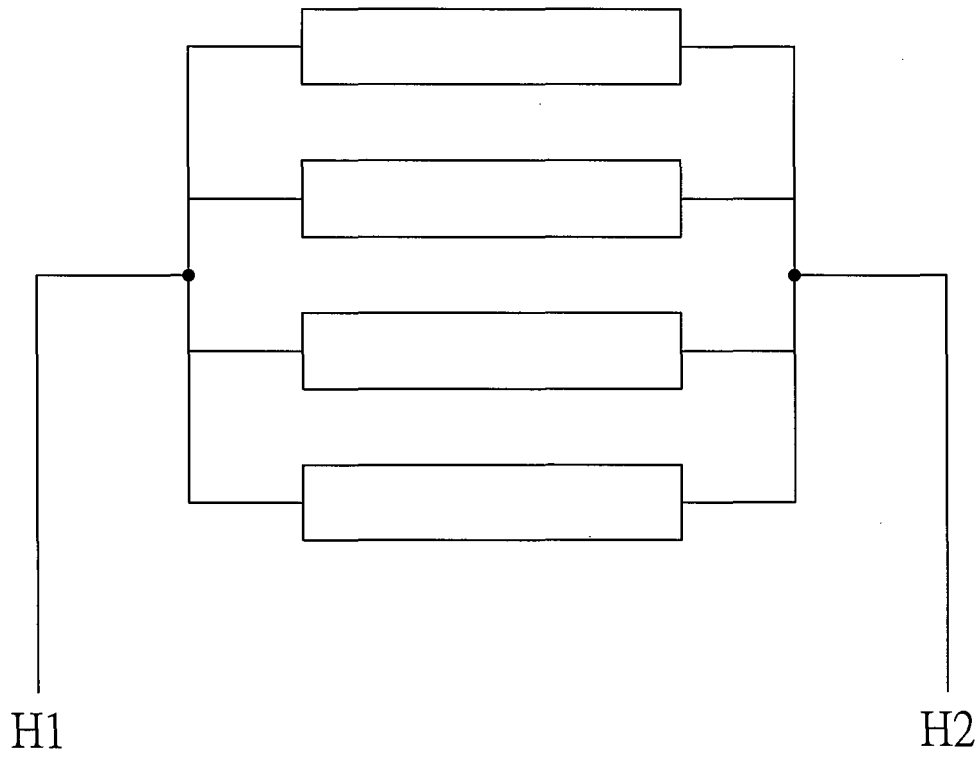
VOLTAGE	CONNECTION	ROTATION (VIEWED FROM DRIVE END)
LOW		
HIGH		

DWN.	S.HUANG	MAR · 03 · 2003
CHKD.	T.HSIAO	MAR · 03 · 2003
APPD.	T.HSIAO	MAR · 03 · 2003

TECO **Westinghouse**

DWG NO.	REV: 00
3 A 0 6 1 H 4 7 7	

DATE NOV.30.2010	SCHEMATIC SPACE HEATER	MODEL



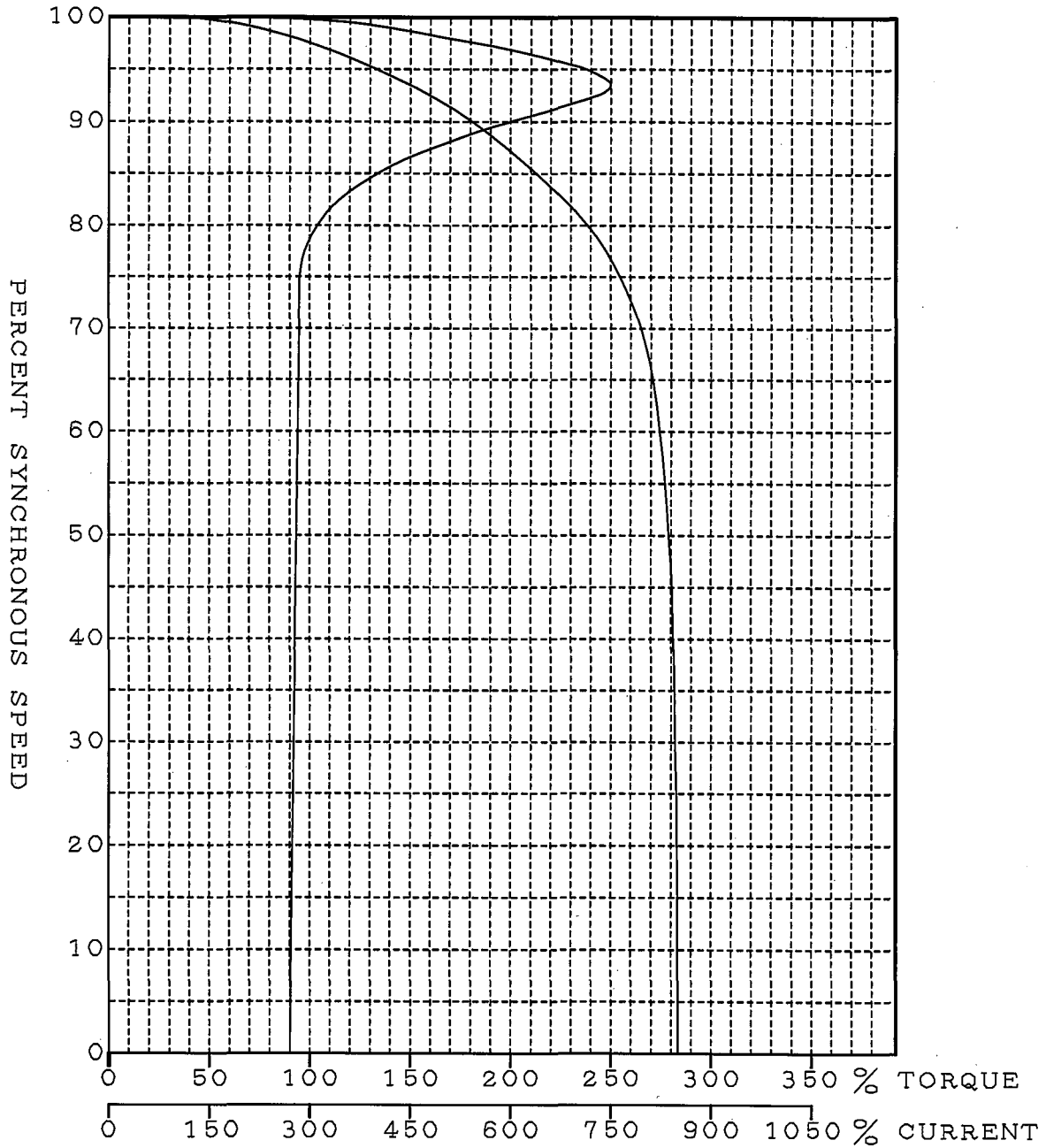
120V 1PH 500W

DWN.	S.HUANG	MAR · 03 · 2003	TECO  Westinghouse	DWG NO.	REV: 00
CHKD.	T.HSIAO	MAR · 03 · 2003		3 A 0 6 1 H 2 3 9	
APPD.	T.HSIAO	MAR · 03 · 2003			

INDUCTION MOTOR STARTING CHARACTERISTICS

T-N/I-N CURVE

TYPE:AFJH HP:1500 VOLTS:2300 ORDER NO:FD111032T1
 HZ:60 POLES:2 RPM(FLS):3589
 LOCK AMPS(%):850 LOCK TORQUE(%):90



DWG.	CF. WENG	20101111
APPD.	T. HSIAO	20101111

TECO  Westinghouse

DWG NO. REV:00
 FD111032T1
 T-I-N

Input Ver:01

TIME - CURRENT AND THERMAL LIMIT CURVES

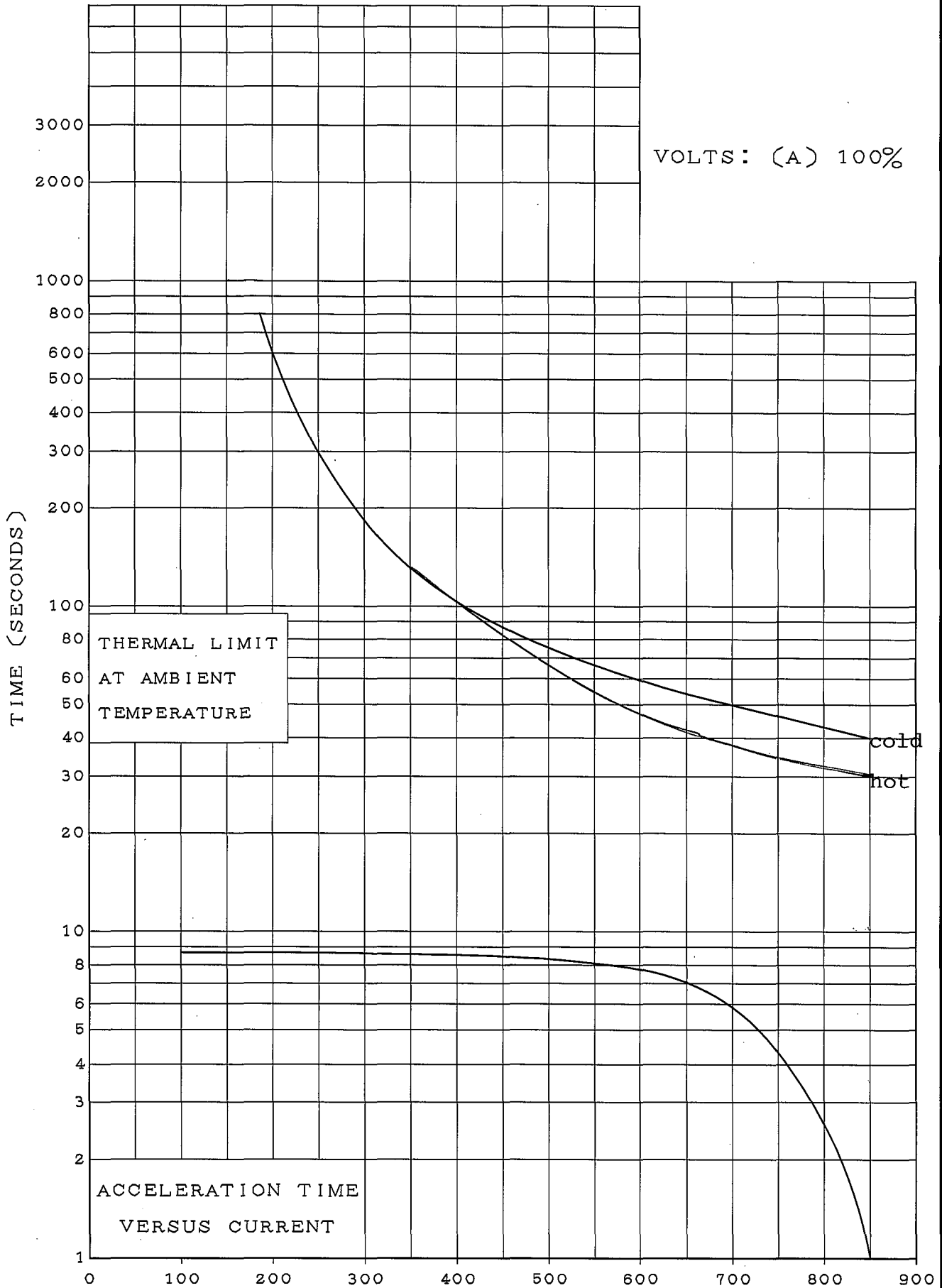
LOAD WK² (LB-FT²):902

MOTOR WK² (LB-FT²):782

TYPE:AFJH POLE:2

HP:1500

NO. : FD111032T1



DWG.	CF. WENG	20101111
APPD.	T. HSIAO	20101111

TECO Westinghouse

DWG NO. REV:00
FD111032T1
TIME

Input Ver:01