

DATE
March 5, 2007
Cat. #: XV0602C-50

OUTLINE DIMENSIONS

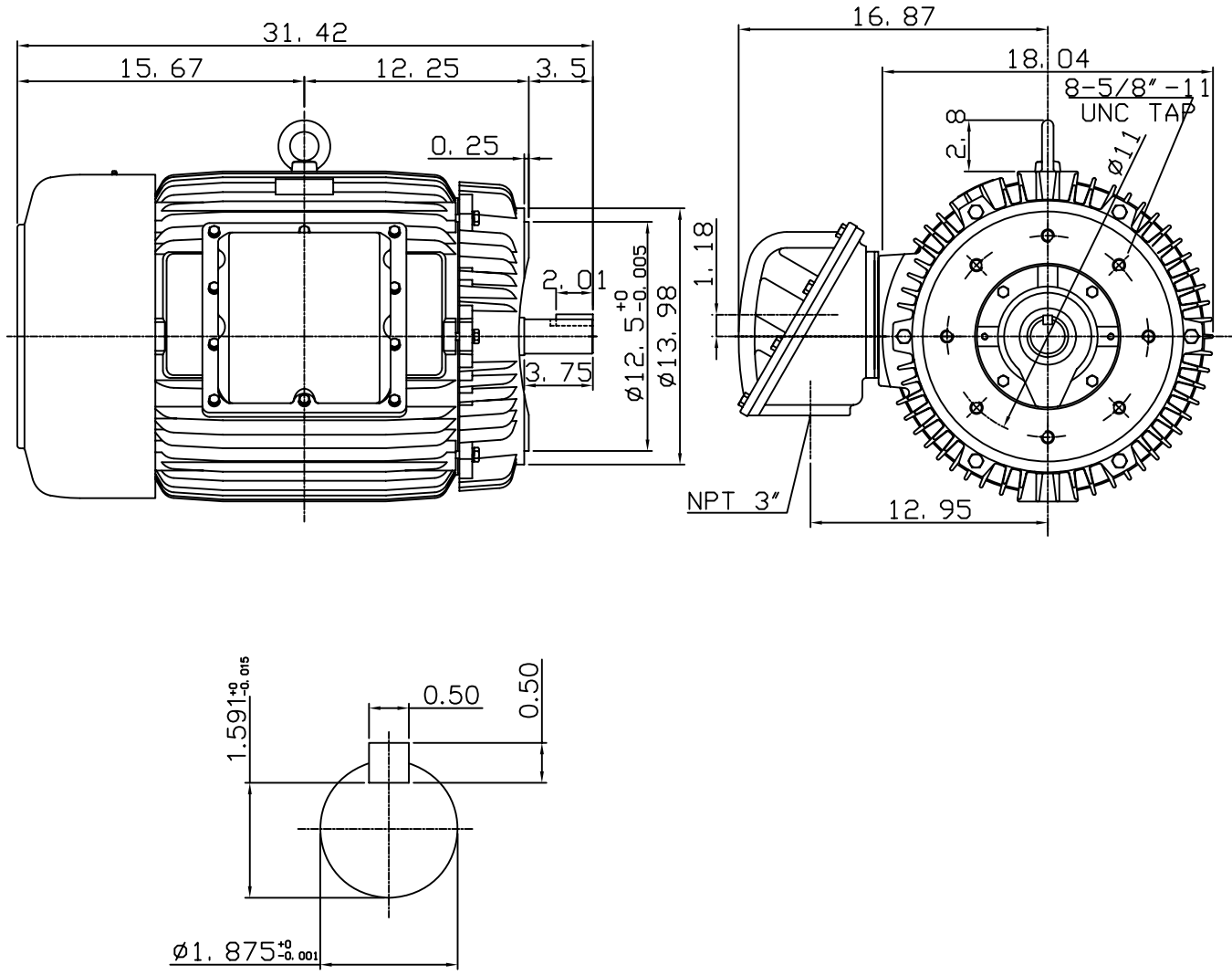
MOTOR TYPE:
AEUHXF
FRAME NO. 364TSC

3-PHASE INDUCTION MOTOR

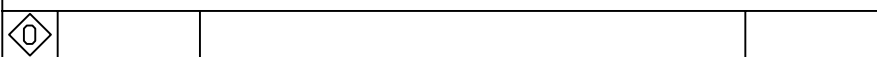
Pole	HP	kW	Hz	VOLT	Syn. Speed r/min(rpm)
2	60	44.8	50	190/380	3000

Ins	Rating	Dimension in	Approx Weight	Bearings
F	CONT.	inches	913 lbs	DE: 6312C3 NDE: 6212C3

Totally Enclosed Fan-Cooled Vertical Type. Squirrel-Cage Rotor.



Note:
1. Suitable for division I,
class I Group D & class II
Group E, F, G, T2D or T3B.



DWN.	G. L. GUO	05-28-03
CHKD.	C. H. KAO	06-06-03
APPD.	M. C. TSAI	06-06-03

TECO Westinghouse

DWG NO.
31049U565000