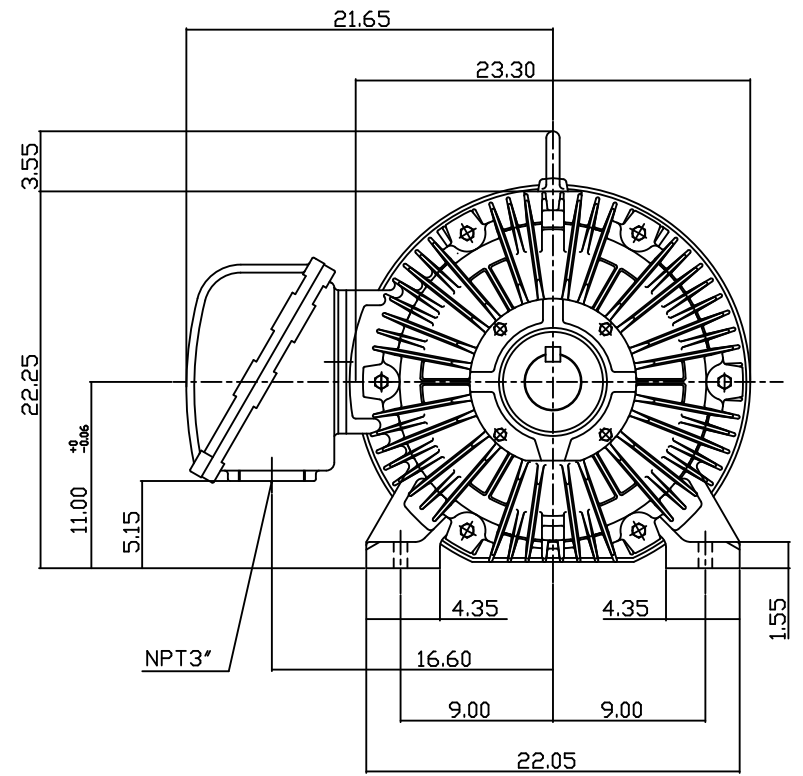
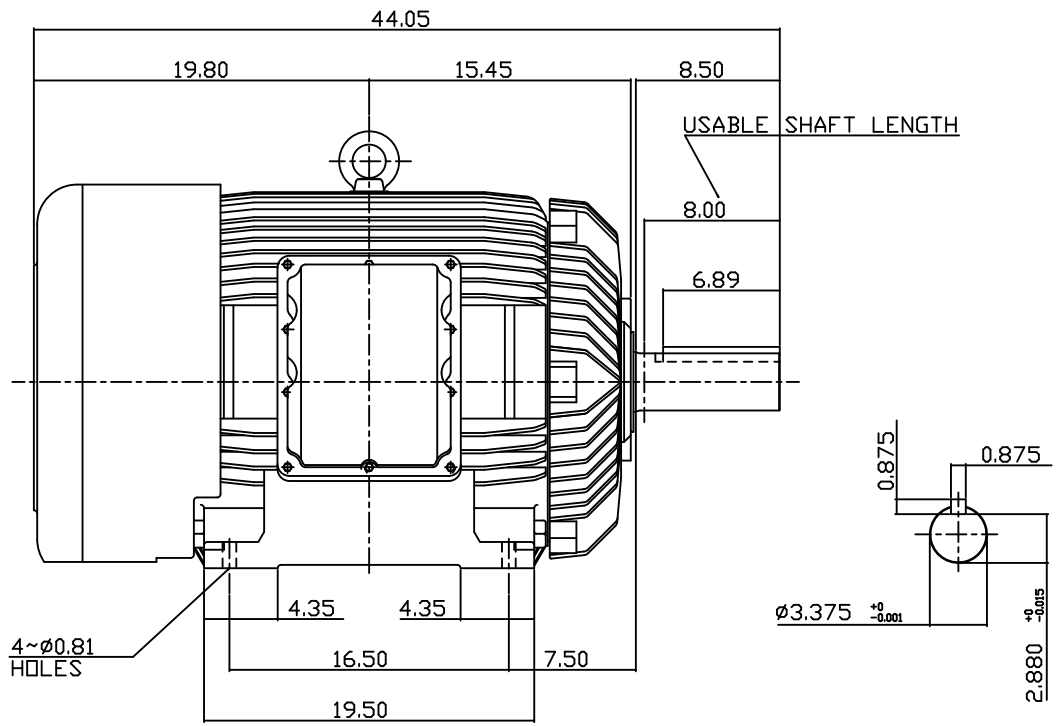


TYPE	OUTPUT		POLE	TIME RATING	VOLTAGE V	Hz	SYN.SPEED R.P.M
	HP.	kW.					
AEHHXU	100	74.6	8	CONT.	230/460	60	900

TOTALLY ENCLOSED FAN-COOLED TYPE, SQUIRREL-CAGE ROTOR



- NOTE:
1. DIMENSIONS IN INCH.
  2. FRAME NO. 445T
  3. F CLASS INSULATION, S.F.1.15
  4. UL EXPLOSION PROOF
  5. SUITABLE FOR DIVISION I, CLASS I, GROUP D, CLASS II, GROUP E,F,G.
  6. BEARING SIZE: DRIVE END: 6318  
NON-DRIVE END: 6318
  7. MOTOR APPROX. WEIGHT: 1720 LBS

TX-56

DWN.	W.L.LIN	APR-07-2003
CHKD.	W.L.LIN	APR-07-2003
APPD.	C.WANG	APR-07-2003

DATE  
MAY 2, 2013  
CATALOG NO.  
XP1008

OUTLINE DIMENSIONS  
3-PHASE INDUCTION MOTOR

TECO Westinghouse

DWG NO. REV: 00  
3A040T3290