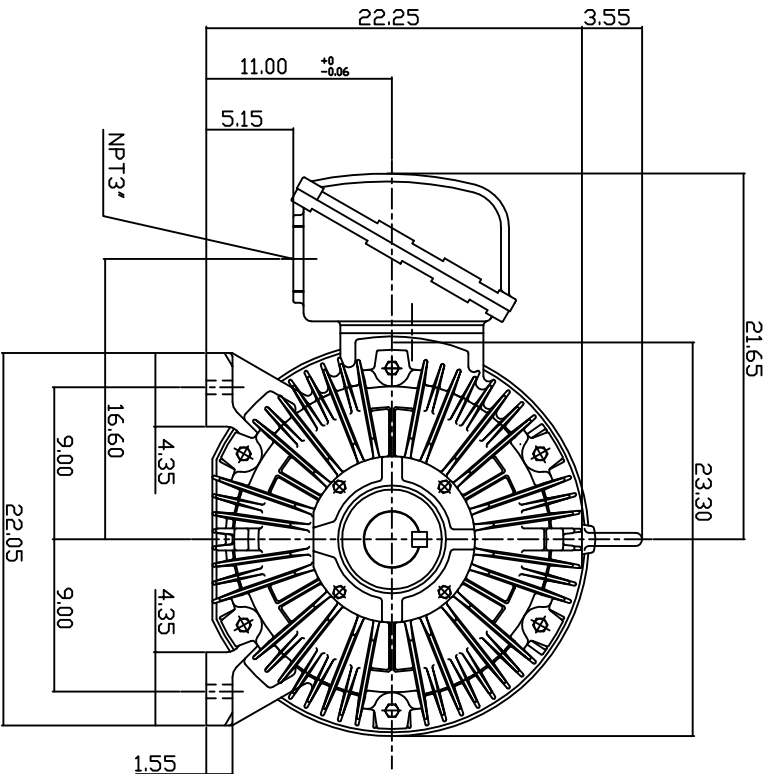
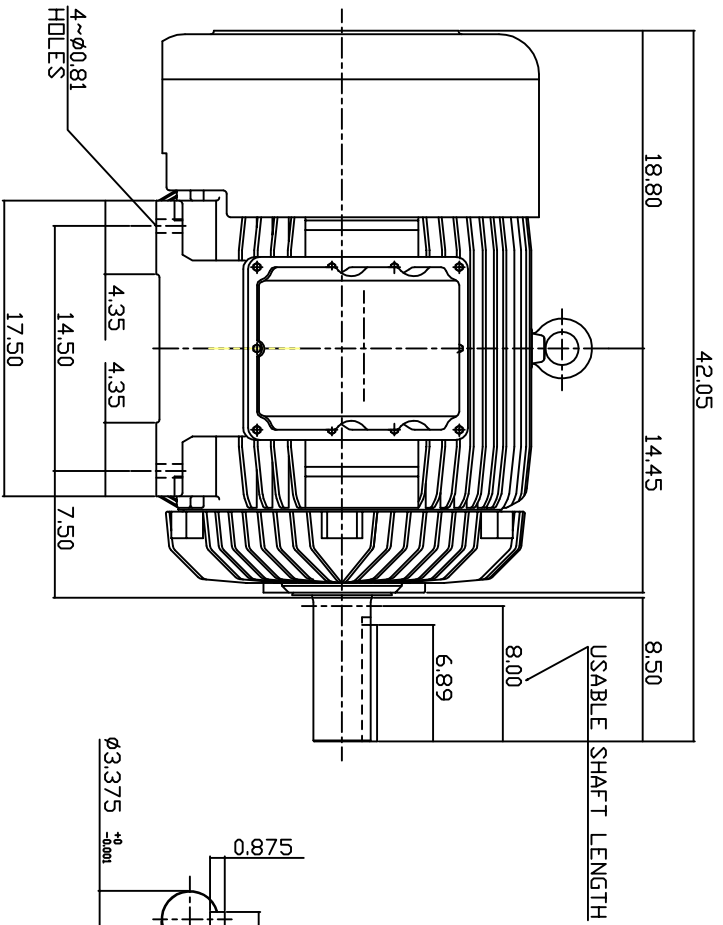


TYPE	OUTPUT		POLE	TIME RATING	VOLTAGE	Hz	SYNSPEED R.P.M
	HP.	KW.					
AEHXXU	100	75	6	CONT.	230/460	60	1200

TOTALLY ENCLOSED FAN-COOLED TYPE. SQUIRREL-CAGE ROTOR



NOTE:

1. DIMENSIONS IN INCH.
2. FRAME NO. 444T
3. F CLASS INSULATION, S.F.115
4. UL EXPLOSION PROOF
5. SUITABLE FOR DIVISION I, CLASS I, GROUP D, CLASS II, GROUP E,F,G.
6. BEARING SIZE: DRIVE END: 6318
NON-DRIVE END: 6318
7. MOTOR APPRX. WEIGHT: 1600 LBS

TX-56

DWN.	W.LLIN	APR-07-2003
CHKD.	W.LLIN	APR-07-2003
APPD.	C.WANG	APR-07-2003

DATE	MAY 2, 2011	OUTLINE DIMENSIONS
CATALOG NO.	XP1006	
TECO Westinghouse		3-PHASE INDUCTION MOTOR
DWG. NO.	3A040T3270	REV: 00