

DATE  
APRIL 5, 2011  
CAT. #: XP1002C

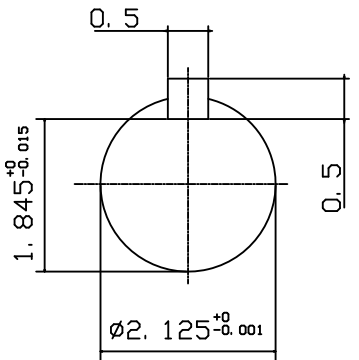
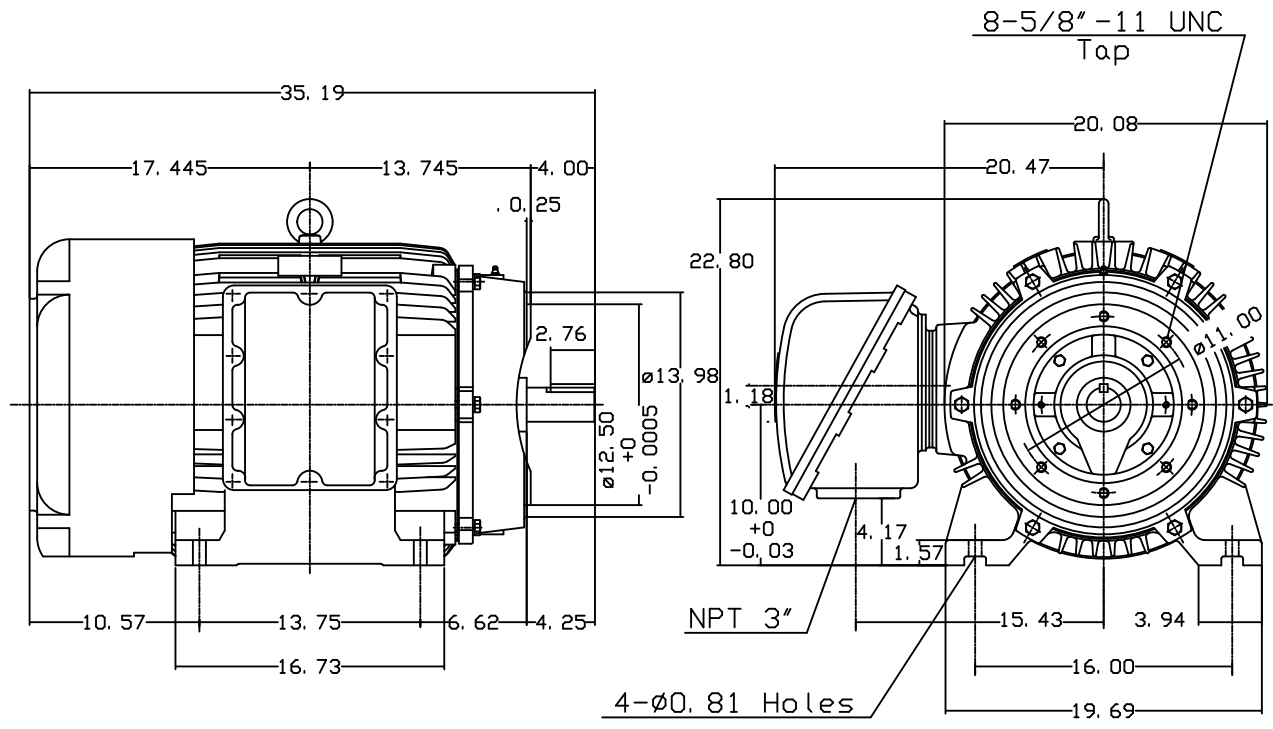
OUTLINE DIMENSIONS  
3-PHASE INDUCTION MOTOR

MOTOR TYPE:  
AEHHXF  
FRAME NO. 405TSC

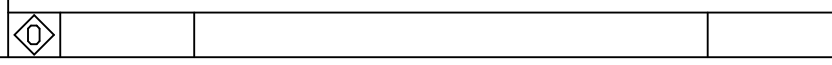
Pole	HP	KW	Hz	VOLT	Syn. Speed r/min(rpm)
2	100	75	60	230/460	3600

Ins	Rating	Dimension in	Approx Weight	Bearings
F	CONT.	inches	1360 LBS	DE: 6313C3 NDE: 6313C3

Totally Enclosed Fan Cooled Type. Squirrel-cage Rotor.



Note:  
1. Explosion proof:  
Class I Group D and  
Class II Group E, F, G.



DWN.	J. H. LIANG	11-30-00
CHKD.	C. H. KAO	03-07-01
APP'D.	Y. B. HUANG	03-07-01



DWG NO.  
31049M634220