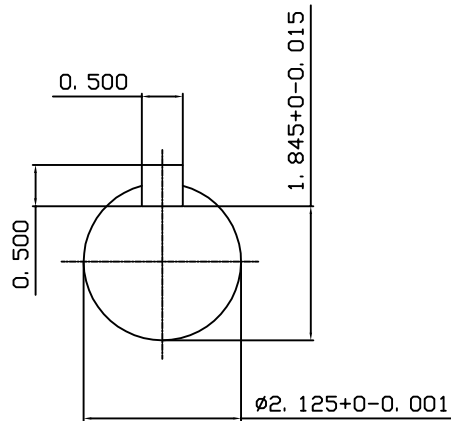
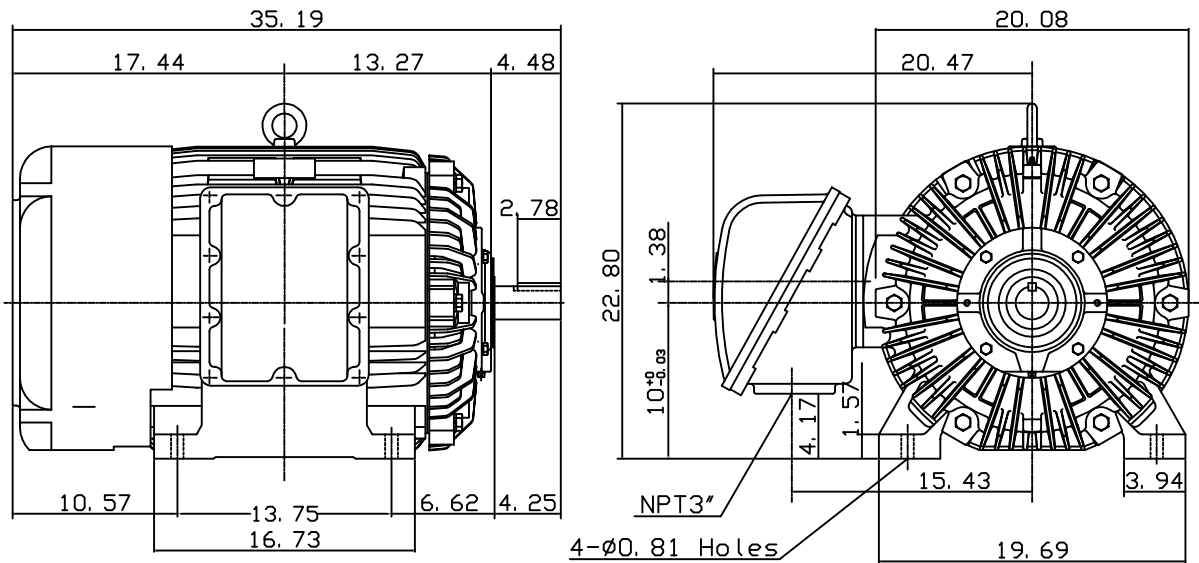


DATE JUNE 16, 2011	OUTLINE DIMENSIONS 3-PHASE INDUCTION MOTOR	MOTOR TYPE: AEHHXU
CATALOG NO. XP1002		FRAME NO. 405TS

Pole	HP	KW	Hz	VOLT	RPM
2	100	75	60	230/460	3600

Ins	Rating	Dimension in	Approx Weight	Bearings	
F	CONT.	inches	1349 lbs.	DE: 6313C3	NDE: 6313C3

Totally Enclosed Fan-Cooled Type. Squirrel-cage Rotor.



Note:

- EXPLOSION-PROOF:  
Class I GROUP D AND  
CLASS II GROUP E,F,G.



DWN.	G. L. GUD	06-19-00
CHKD.	C. H. KAD	06-22-00
APPD.	Y. B. HUANG	06-22-00

TECO   Westinghouse

DWG NO.  
31049M634140